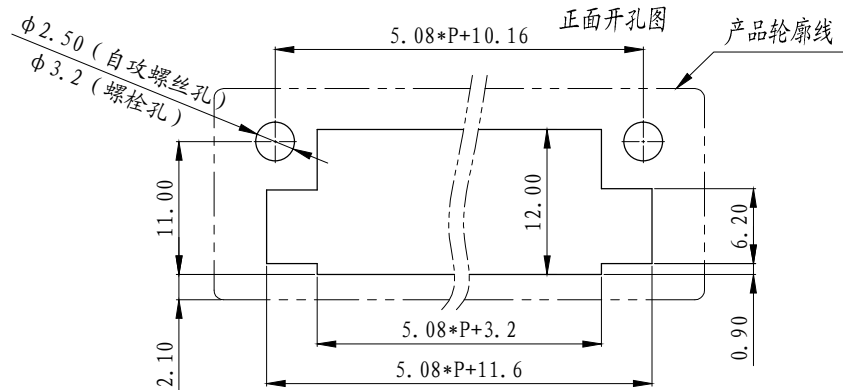
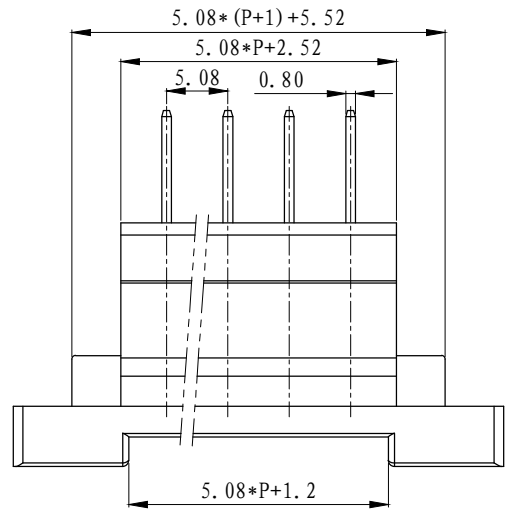


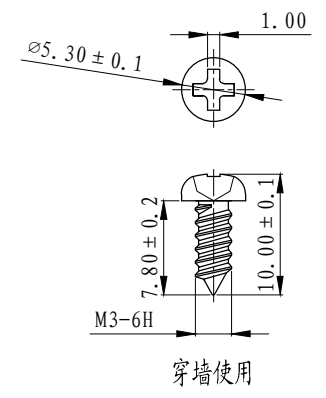
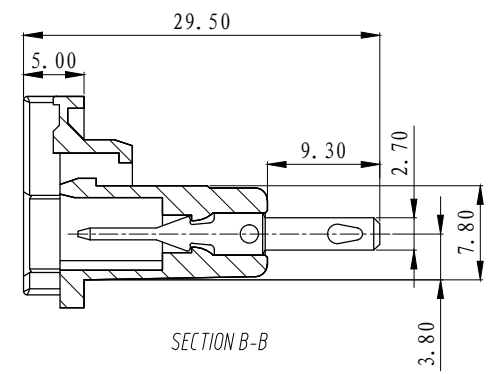
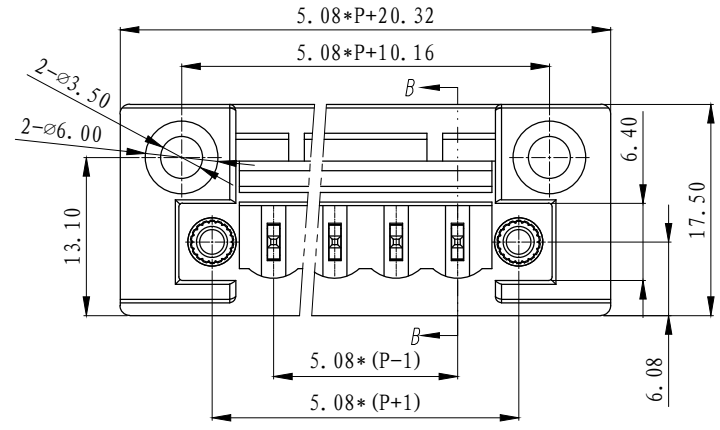
REVISION		RECORD	
REV.	CONTENT	MOD.	DATE
△	初版发行		



- NOTES:
1. Voltage Rating: 300V, Current Rating: 15A
 2. PITCH: 5.08mm
 3. Insulation Withstands Voltage: AC2500V/min
 4. Using Temperature Range: -40° C ~ +105° C
 5. Suitable Electric Wire: AWG 24-12

技术要求:

1. 额定电压: 300V, 额定电流: 15A
2. 间距: 5.08mm
3. 耐压值: AC 2500V/min
4. 使用条件: -40° - +105°
5. 适用线规: AWG 24-12



	Pitch dimension			Nominal dimension					— /	
	over 0 to 6	over 10 to 24	over 30 to 60	over 0 to 30	over 60 to 100	over 100 to 150	over 0 to 30	over 60 to 100		over 100 to 150
variable range	0 to 6	10 to 24	30 to 60	0 to 30	60 to 100	100 to 150	0 to 30	60 to 100	100 to 150	□ ○
Tolerance	±0.1	±0.15	±0.25	±0.2	±0.3	±0.5	±0.7	±1.0	0.05/10	

4	M3*8圆头自攻螺丝	SQZSC308001V	2	碳钢	三价钝化彩锌
3	LZ1-系列-耳朵螺母	SNM0250010V	2	黄铜	—
2	LZSM-5.08-焊针	1019B00010V	P	黄铜	镀雾锡
1	LZSM-5.08-主体	1019M4YXXAV	P	PA66-V0	绿色
NO.	NAME OF PART	NO. OF PART	Q'TY	MATERIAL	NOTES
DES.	CMZ	DATE	2024/08/19	UNITS	MM
CHK.		DATE		SIZE	A4
APP.		DATE		SCALE	1:1
				DWG NO.	SP-1-1019001
				REV:	V3
				TITLE	LZSM-5.08-XXP-1V-00A
					LZSM-5.08成品


上海有乐电气有限公司
 Shanghai YouLe Electric Co., LTD