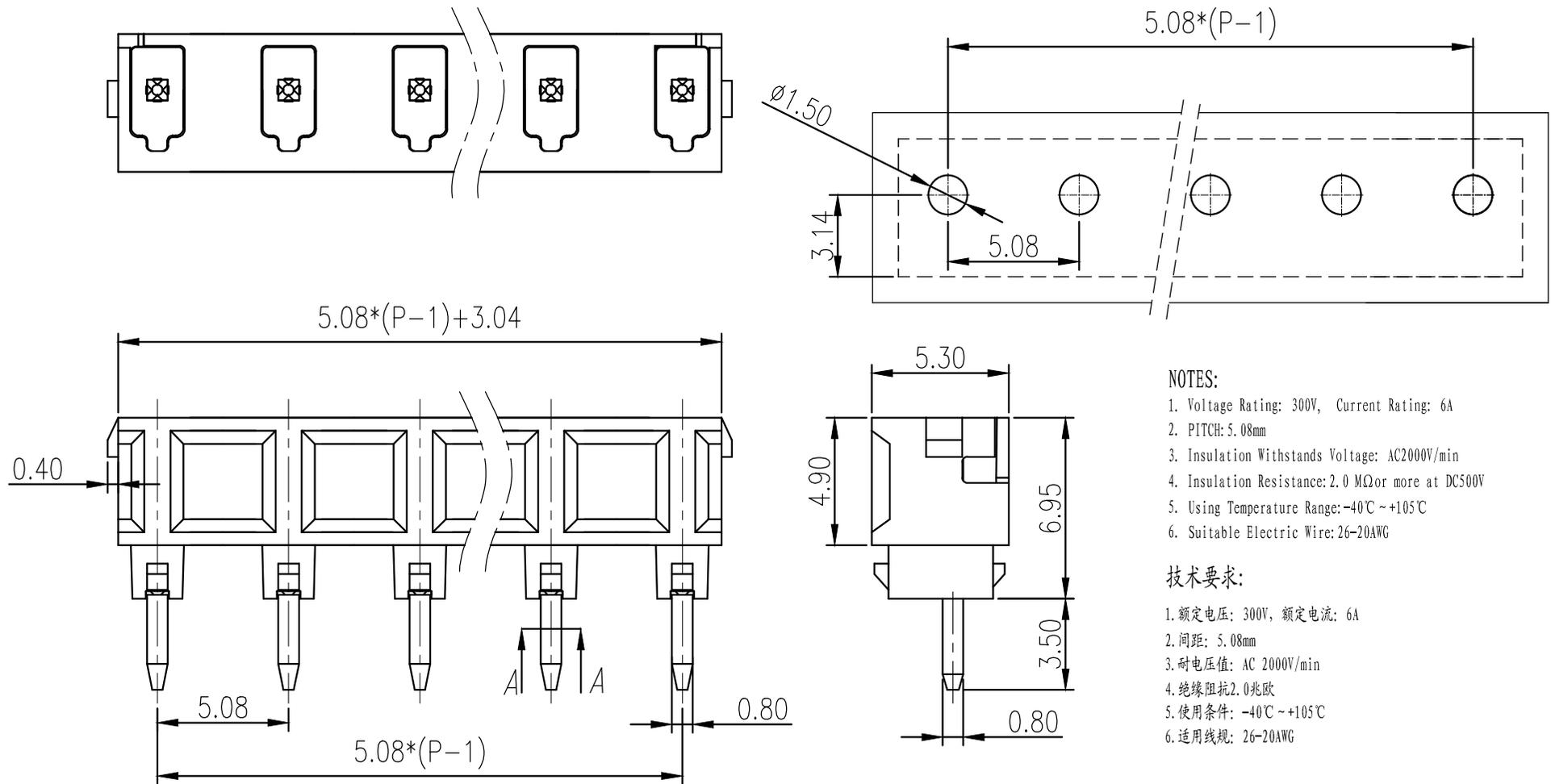


REVISION RECORD			
REV.	CONTENT	MOD.	DATE
△	初版发行		



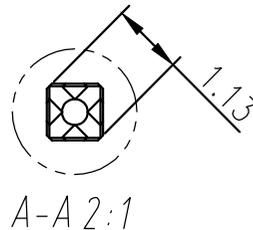
NOTES:

1. Voltage Rating: 300V, Current Rating: 6A
2. PITCH: 5.08mm
3. Insulation Withstands Voltage: AC2000V/min
4. Insulation Resistance: 2.0 MΩ or more at DC500V
5. Using Temperature Range: -40°C ~ +105°C
6. Suitable Electric Wire: 26-20AWG

技术要求:

1. 额定电压: 300V, 额定电流: 6A
2. 间距: 5.08mm
3. 耐电压值: AC 2000V/min
4. 绝缘阻抗: 2.0兆欧
5. 使用条件: -40°C ~ +105°C
6. 适用线规: 26-20AWG

	pitch dimension			Nominal dimension					— ◇ — ○
	over 0	over 6	over 10	over 0	over 30	over 60	over 100	over 150	
variable range	to 6	to 10	to 24	to 30	to 60	to 100	to 150		
Tolerance	±0.1	±0.15	±0.25	±0.2	±0.3	±0.5	±0.7	±1.0	0.05/10



2	LZ8-2.54直针	1003B0004AV	P	黄铜	镀亮锡
1	LZ8X-5.08主体	1200A0YXXAV	1	PA66	
NO.	NAME OF PART	NO. OF PART	Q'TY	MATERIAL	NOTES
DES.	WYY	DATE 22/10/29	UNITS mm	THIRD ANGLE PROJECTION	SHEET 1 of 1
CHK.		DATE	SIZE A4		
APP.		DATE	SCALE 1:1	DWG NO. SP-2-1168001	REV: V0
				TITLE	LZ8XV-5.08-XXP-1Y-00A LZ8XV-5.08-成品