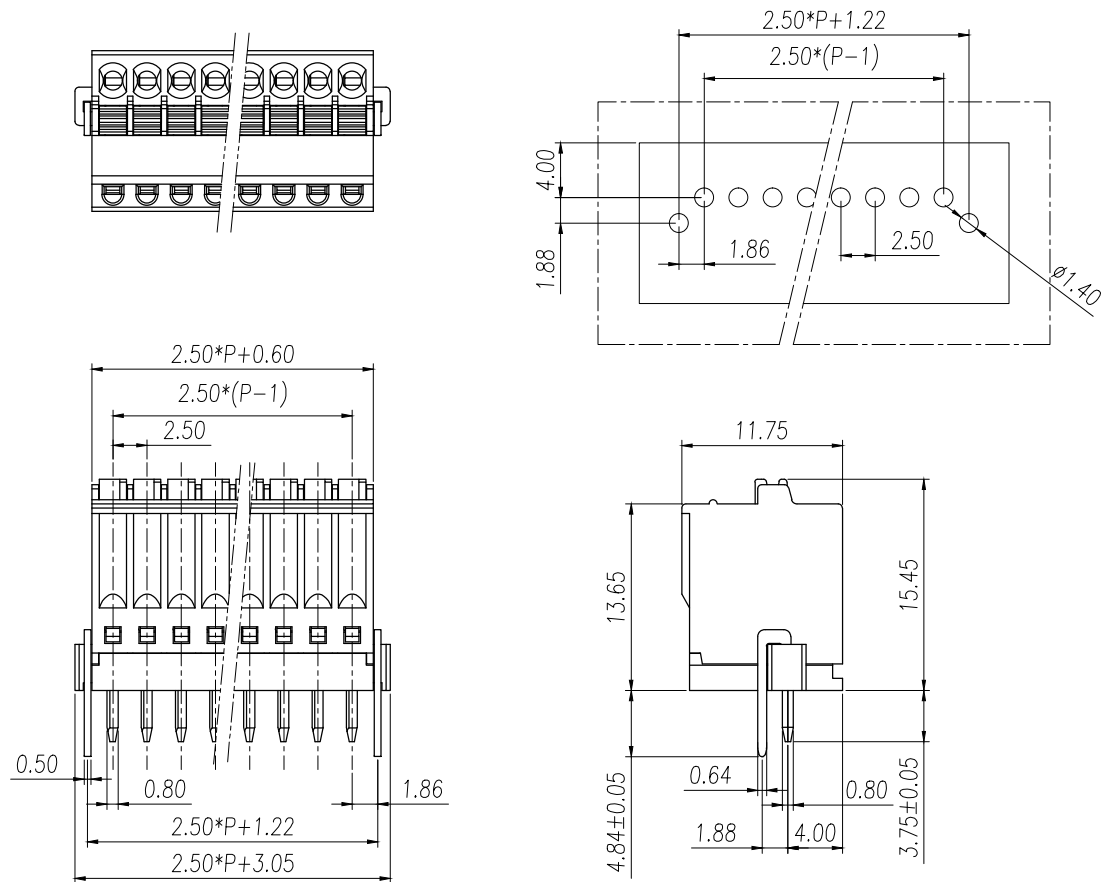


| REVISION RECORD |         |      |      |
|-----------------|---------|------|------|
| REV.            | CONTENT | MOD. | DATE |
| ①               | 初版发行    |      |      |



**NOTES:**  
 Pitch : 2.5mm  
 Rated Voltage : 150 V  
 Rated Current : 4A  
 Withstand Voltage :  
 AC2000V for 1 minute  
 Insulation Resistance :  
 500MΩ / DC500V  
 Using Temperature Range :  
 - 40°C ~ + 105°C  
 Wire range :24 ~20 AWG

**技术要求:**  
 间距: 2.5mm  
 额定电压: 150V  
 额定电流: 4A  
 耐电压值: AC2000V/min  
 绝缘阻抗: 500MΩ/DC500V  
 使用条件: -40°C~+105°C  
 适用线规: 24~20 AWG

|                | pitch dimension |        |         | Nominal dimension |         |         |          |          | —<br>□<br>⌒ |
|----------------|-----------------|--------|---------|-------------------|---------|---------|----------|----------|-------------|
|                | over 0          | over 6 | over 10 | over 0            | over 30 | over 60 | over 100 | over 150 |             |
| variable range | to 6            | to 10  | to 24   | to 30             | to 60   | to 100  | to 150   |          |             |
| Tolerance      | ±0.1            | ±0.15  | ±0.25   | ±0.2              | ±0.3    | ±0.5    | ±0.7     | ±1.0     | 0.05/10     |

| 6   | V3.81/3.5耳朵五金件  | 2079B0003AV  | P           | 黄铜      | 镀亮锡      |                              |
|---|-----------------|--------------|-------------|---------|----------|------------------------------|
| 5   | LC60-2.5五金件     | 2090B0001AV  | P           | 磷青铜     | 镀亮锡      |                              |
| 4   | LC6-2.5-弹片      | F2A0DLC625BV | p           | 不锈钢     |          |                              |
| 3   | LC6-2.5-按钮      | 1023D0YXXAV  | P           | POM     |          |                              |
| 2   | LS240V/R-2.5-盖板 | 2094C0YXXAV  | 1           | PA66-V0 |          |                              |
| 1   | LC6-2.5-本体      | 1023A0YXXAV  | 1           | PA66-V0 |          |                              |
| NO.   | NAME OF PART    |              | NO. OF PART | Q'TY    | MATERIAL | NOTES                        |
| DES.  | WY              | DATE         | 2022/07/18  | UNITS   | MM       | THIRD ANGLE PROJECTION SHEET |
| CHK.  |                 | DATE         |             | SIZE    | A4       | ⊕  1 of 1                    |
| APP.  |                 | DATE         |             | SCALE   | 1:1      | DWG NO. SP-1-2081140 REV: V0 |
| <b>上海有乐电气有限公司</b><br>Shanghai YouLe Electric C O.,LTD |                 |              |             |         | TITLE    | LS240V-2.5-XXP-1Y-00A        |
|   |                 |              |             |         |          | LS240V-2.5-成品                |