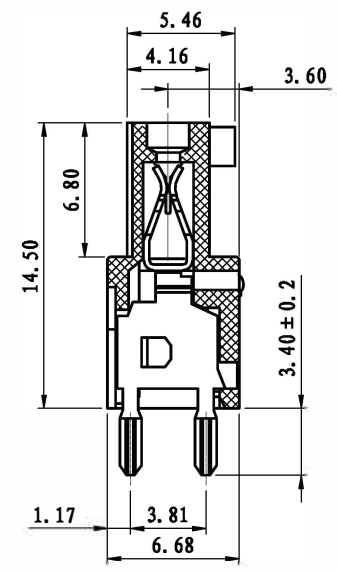
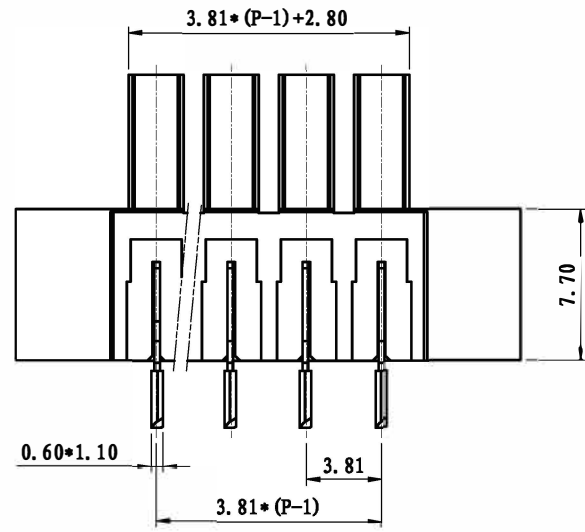
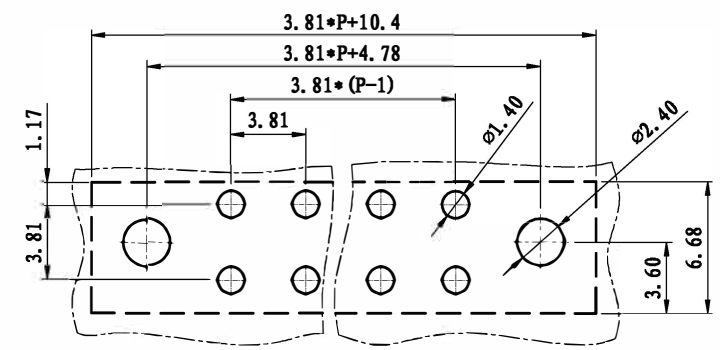
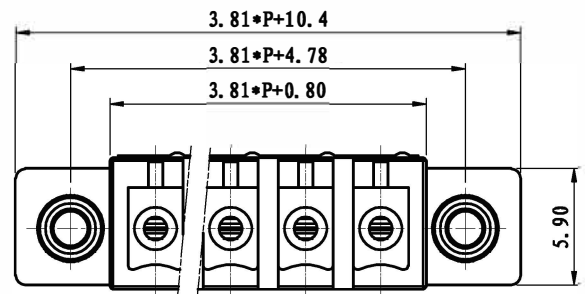


REVISION RECORD			
REV.	CONTENT	MOD.	DATE
△	初版发行		



NOTES:

1. Voltage Rating: 300V, Current Rating: 8A
2. PITCH: 3.81mm
3. Insulation Withstands Voltage: AC2500V/min
4. Insulation Resistance: 500MΩ or more at DC500V
5. Using Temperature Range: -40° C - +105° C

技术要求:

1. 额定电压: 300V, 额定电流: 8A
2. 间距: 3.81mm
3. 耐电压值: AC 2500V/min
4. 绝缘阻抗500兆欧
5. 使用条件: -40° - +105°

	pitch dimension			Nominal dimension					—
	over 0	over 6	over 10	over 0	over 30	over 60	over 100	over 150	
variable range	to 6	to 10	to 24	to 30	to 60	to 100	to 150		□
Tolerance	±0.1	±0.15	±0.25	±0.2	±0.3	±0.5	±0.7	±1.0	○

3	LZ1-耳朵螺母	SMO0B250000V	2	黄铜	—
2	LC12V-3.81-焊脚	1005B0002AV	P	磷青铜	镀雾锡
1	LC12-3.81-本体	1005A0YXXAV	1	PA66	
NO.	NAME OF PART	NO. OF PART	QTY	MATERIAL	NOTES
DES.	ARKI NO	DATE	2010/5/8	UNITS	mm
CHK.	DATE	SCALE	A4	THIRD ANGLE PROJECTION	SHEET
APP.	DATE	SCALE	1:1	DWG NO.	1 of 1
				TITLE	LC12VM-3.81-1Y-00A
					LC12VM-3.81-成品