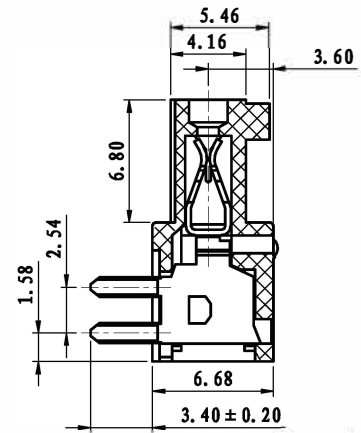
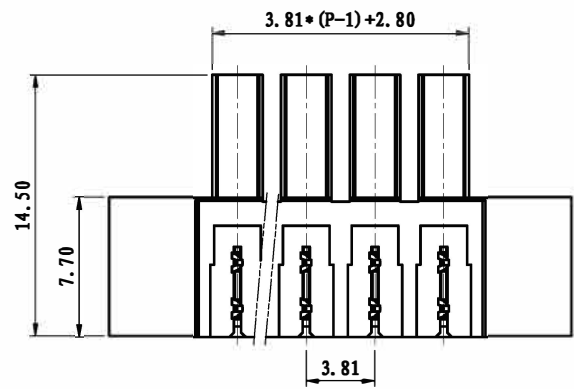
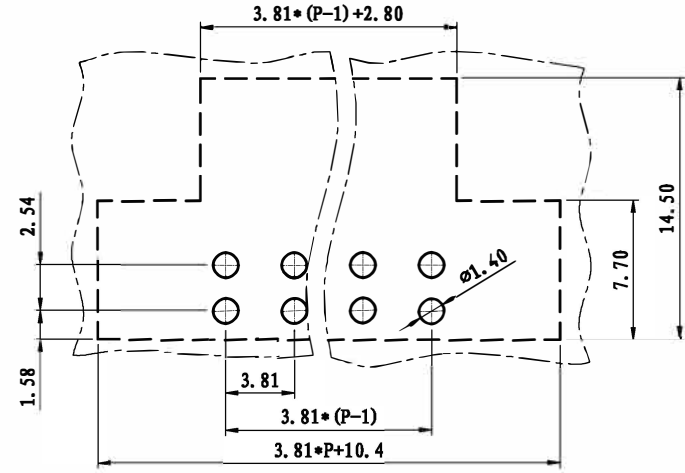
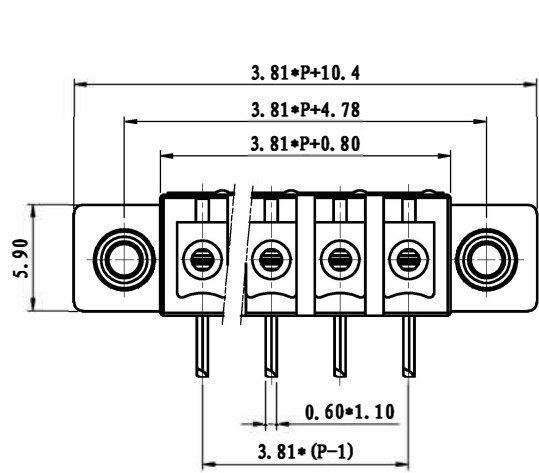


| REVISION RECORD | | | |
|-----------------|---------|------|------|
| REV. | CONTENT | MOD. | DATE |
| △ | 初版发行 | | |



NOTES:

1. Voltage Rating: 300V, Current Rating: 8A
2. PITCH: 3.81mm
3. Insulation Withstands Voltage: AC2500V/min
4. Insulation Resistance: 500MΩ or more at DC500V
5. Using Temperature Range: -40° C - +105° C

技术要求:

1. 额定电压: 300V, 额定电流: 8A
2. 间距: 3.81mm
3. 耐电压值: AC 2500V/min
4. 绝缘电阻500兆欧
5. 使用条件: -40° - +105°

| | pitch dimension | | | Nominal dimension | | | | | — |
|----------------|-----------------|--------|---------|-------------------|---------|---------|----------|----------|---|
| | over 0 | over 6 | over 10 | over 0 | over 30 | over 60 | over 100 | over 150 | |
| variable range | to 6 | to 10 | to 24 | to 30 | to 60 | to 100 | to 150 | | □ |
| Tolerance | ±0.1 | ±0.15 | ±0.25 | ±0.2 | ±0.3 | ±0.5 | ±0.7 | ±1.0 | ○ |

| 3 | LZ1-耳朵螺母 | SMD0B25000V | 2 | 黄铜 | — |
|--|---------------|-------------|----------|----------|--|
| 2 | LC12R-3.81-焊脚 | 1005B0001AV | P | 磷青铜 | 镀雾锡 |
| 1 | LC12-3.81-本体 | 1005A0YXXAV | 1 | PA66 | |
| NO. | NAME OF PART | NO. OF PART | Q'TY | MATERIAL | NOTES |
| DES. | ARKINB | DATE | 2010/5/8 | UNITS | mm |
| CHK. | | DATE | | SIZE | A4 |
| APP. | | DATE | | SCALE | 1:1 |
| | | | | DWG NO. | SP-2-1005001 |
| | | | | REV: | V0 |
| 上海有乐电气有限公司 Shanghai YouLe Electric CO., LTD | | | | TITLE | LC12RM-3.81-XXP-1Y-00A LC12RM-3.81-成品 |