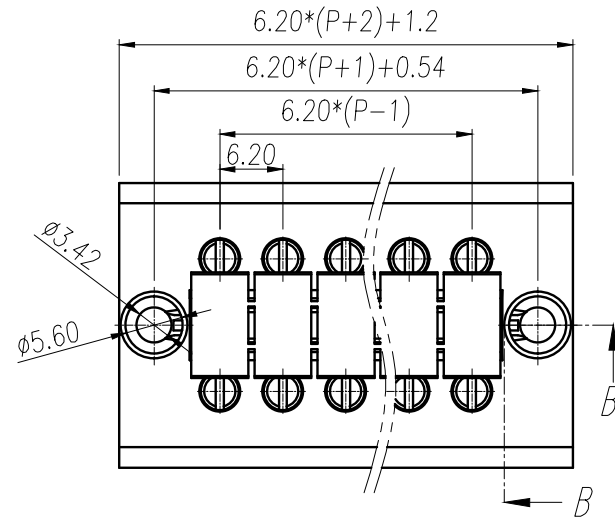
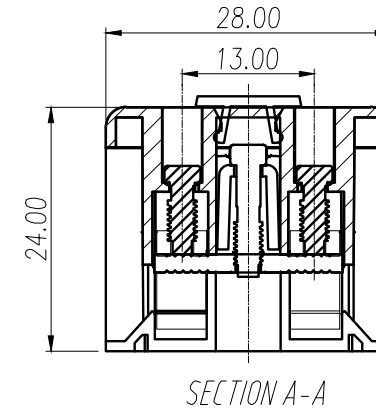
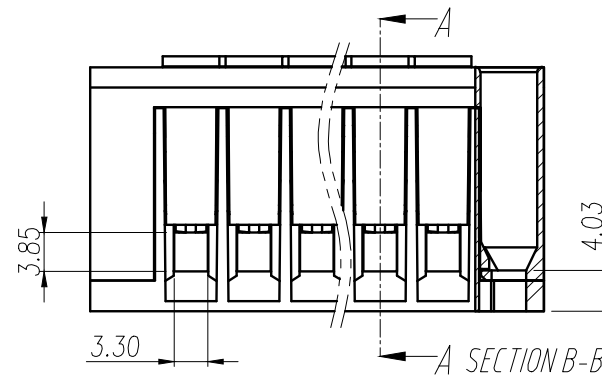
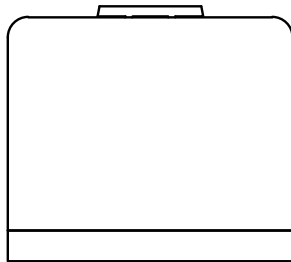


REVISION RECORD			
REV.	CONTENT	MOD.	DATE
△	初版发行		



技术要求:
 极数: 组装
 额定电压: 600V
 额定电流: 20-41A
 螺钉类型/扭力: M3/0.6N.m
 绝缘材料类型: PA66
 阻燃等级: V0
 线径: 0.2-4mm²



6	ZB6标记号	6H38B00041AV			
5	H3803导电件	6H38B00041AV	P	紫铜	镀镍
4	UK5N-铜方块	F000000140V	2P	黄铜	镀镍
3	UK2.5B-螺丝	SSM0300070V	2P	合金铜	镀镍
2	H3803B-盖板	4017C4020AV-1	1	PA66-V0	
1	H3803-本体	4017A0YXXAV	1	PA66-V0	
NO.	NAME OF PART	NO. OF PART	Q'TY	MATERIAL	NOTES
DES.	ZJL	DATE	2022/03/08	UNITS	MM
CHK.		DATE		SIZE	A4
APP.		DATE		SCALE	1:1
				DWG NO.	SP-1-H380350
				REV:	V0
				TITLE	H3803B-成品



上海有乐电气有限公司
 Shanghai YouLe Electric Co., LTD

	pitch dimension			Nominal dimension					— □ ⌒
	over	over	over	over	over	over	over	over	
variable range	0	6	10	0	30	60	100	150	0.05/10
	to	to	to	to	to	to	to		
Tolerance	±0.1	±0.15	±0.25	±0.2	±0.3	±0.5	±0.7	±1.0	