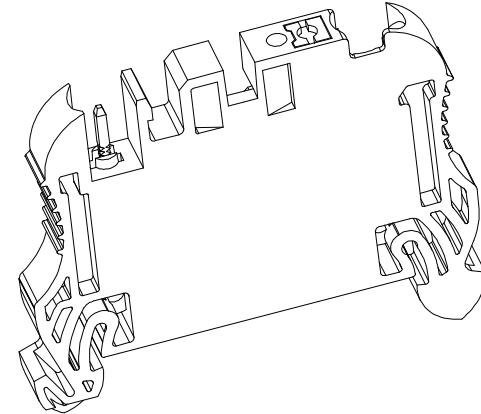
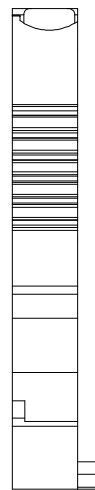
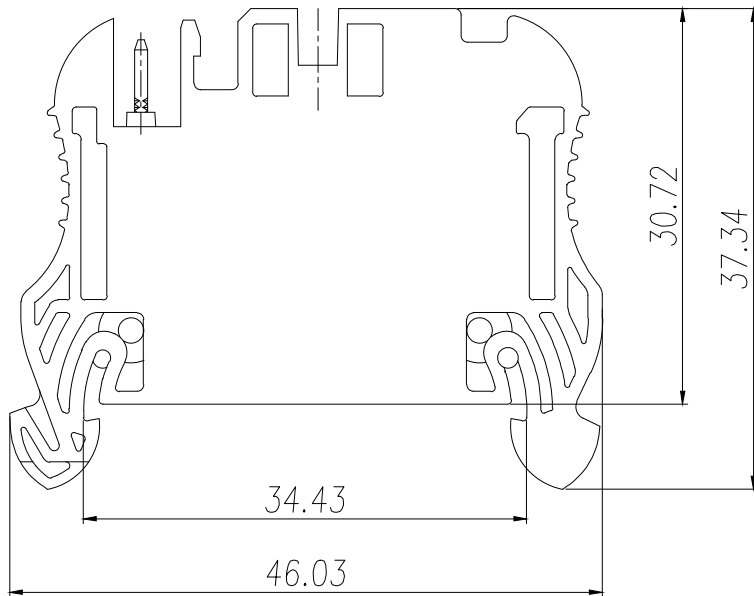
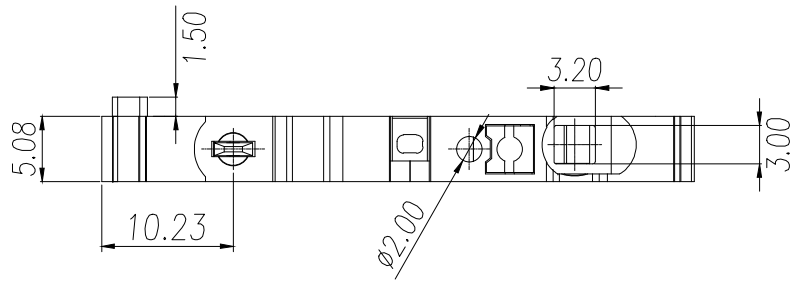


REVISION RECORD			
REV.	CONTENT	MOD.	DATE
△/0	初版发行		



NOTES:

1. Voltage Rating: 600V, Current Rating: 15A
2. PITCH: 5.08mm
3. Insulation Withstands Voltage: AC2000V/min
4. Insulation Resistance: 500MΩ or more at DC1000V
5. Using Temperature Range: -40°C ~ +105°C
6. Suitable Electric Wire: 24-12AWG

技术要求:

1. 额定电压: 600V, 额定电流: 15A
2. 间距: 5.08mm
3. 耐电压值: AC 2000V/min
4. 绝缘阻抗500兆欧
5. 使用条件: -40°C ~ +105°C
6. 适用线规: 24-12AWG

TOLERANCES EXCEPT AS NOTED

variable range	linear dimension					fillet	chamfer	short angle sid			≡	—	∕	∥	⊥		
	to 6	over 6 to 30	over 30 to 120	over 120 to 480	over 480 to	all	to 6 to	to 6 to 10	to 10 to 50	to 50 to 120	to 10 to 120	all	to 5 to 10	to 10 to 30	to 30 to 120		
Tolerance	±0.1	±0.2	±0.3	±0.5	±0.9	±0.2	±0.5	±1	1°	30'	20'	10'	0.3	0.025	0.06	0.12	0.4

5	LZ1-5.08扳针机专用弯针	1015B0003AV-1	1	黄铜	镀锡
4	LD1-2.5按钮	6LD1D400203V-1	2	PBT	橘黄色
3	LD1-2.5弹片	6LD1B0001AV	2	不锈钢	
2	LD1-2.5导电件	6LD1B0002AV	1	紫铜	
1	UD2.5C1主体	60UDA10243V-1	1	PA66	灰色
NO.	NAME OF PART	NO. OF PART	QTY	MATERIAL	NOTES
DES.	ZJL	DATE	2022/7/5	UNITS	mm
CHK.		DATE		SIZE	A4
APP.		DATE		SCALE	1:1
				DWG NO.	SP-1-1169001
				REV:	V0
上海有乐电气有限公司 Shanghai YouLe Electric CO.,LTD				TITLE	UD2.5C1-110-00A UD2.5C1-110-00A产品