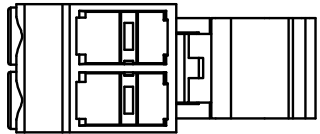
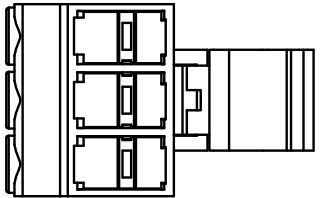


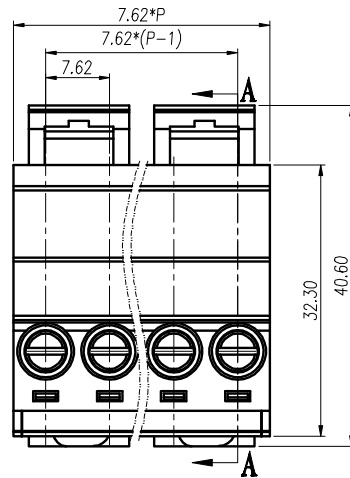
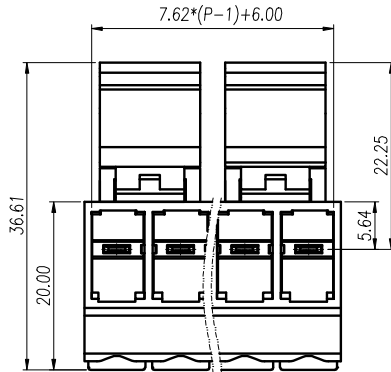
REVISION RECORD			
REV.	CONTENT	MOD.	DATE
△	出版发行		



2P



3P

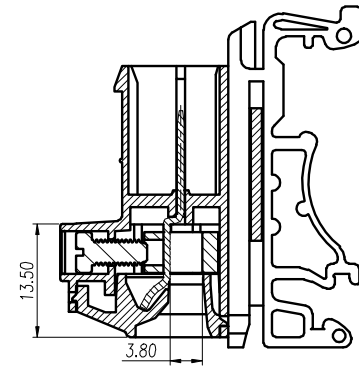
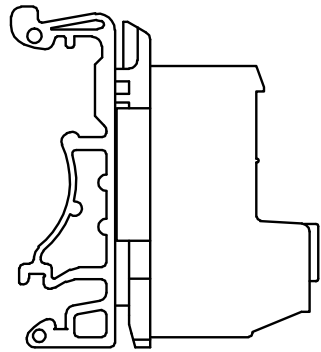


NOTES:

- 1.Voltage Rating: 300V, Current Rating: 30A
- 2.PITCH: 7.62mm
- 3.Insulation Withstands Voltage: AC300V/min
- 4.Insulation Resistance:500MΩ or more at DC500V
- 5.Using Temperature Range:-40℃~+105℃
- 6.Suitable Electric Wire: 24-16 AWG
- 7.Screw Torque Value: 0.51N

技术要求:

- 1.额定电压: 300V, 额定电流: 30A
- 2.间距: 7.62mm
- 3.耐电压值: AC300V/min
- 4.绝缘电阻: 500MΩ /DC500V
- 5.使用条件: -40° ~ +105°
- 6.适用线径: 24-16 AWG
- 7.螺丝扭矩: 0.51N



SECTION A-A

	pitch dimension			Nominal dimension					— ◇ ○
	over 0	over 6	over 10	over 0	over 30	over 60	over 100	over 150	
variable range	to 6	to 10	to 24	to 30	to 60	to 100	to 150		
Tolerance	±0.1	±0.15	±0.25	±0.2	±0.3	±0.5	±0.7	±1.0	0.05/10

6	LC16-脚	1045T0Y01AV	1-2	PA66-V0	
5	M3*6.6一字平头螺丝	SP0YA306601V	P	碳钢	三价铬钝化彩锌
4	UDK4-铜方块	F1C0BLC1H03V	P	黄铜	镀镍
3	LC10H-7.62-方针	1156B0001AV	P	紫铜	镀雾锡
2	LC1H-7.62-盖板	1153C0YXXAV	1	PA66-V0	
1	LC15H-7.62-主体	1159A0YXXAV	1	PA66-V0	
NO.	NAME OF PART	NO. OF PART	Q'TY	MATERIAL	NOTES
DES.	WYY	DATE	2019/10/15	UNITS	MM
CHK.		DATE		SIZE	A4
APP.		DATE		SCALE	1:1
				DWG NO.	SP-2-1159003
				REV.	V0
上海有乐电气有限公司 Shanghai Youle Electric C O.,LTD				TITLE	LC16H-7.62-XXP-1Y-00A LC16H-7.62-成品