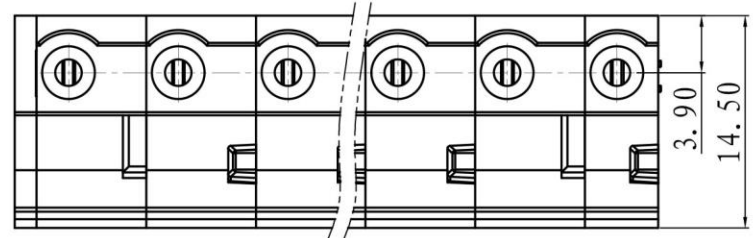
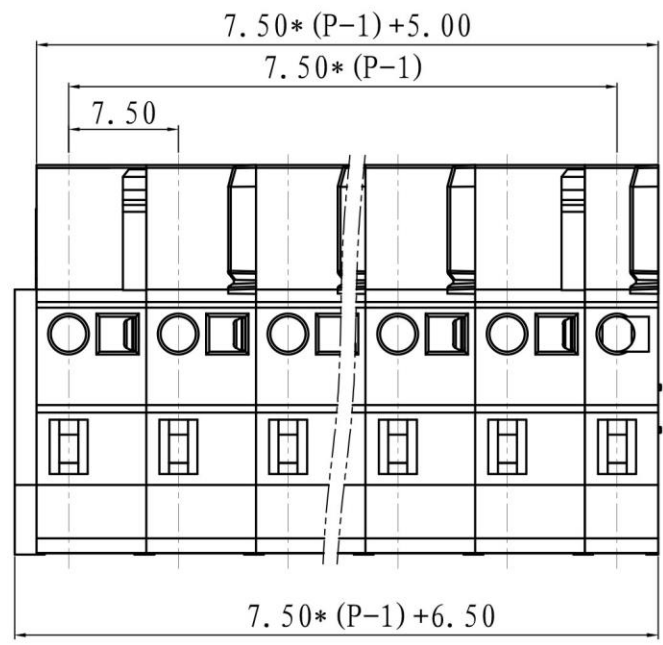
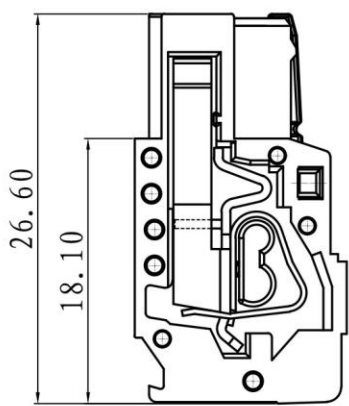


REVISION RECORD			
REV.	CONTENT	MOD.	DATE
△	初版发行		



NOTES:

1. Voltage Rating: 300V, Current Rating: 15A
2. PITCH: 7.5mm
3. Insulation Withstands Voltage: AC2500V/min
4. Insulation Resistance: 500MΩ or more at DC500V
5. Using Temperature Range: -40℃ - +105℃
6. Suitable Electric Wire: 22-14AWG



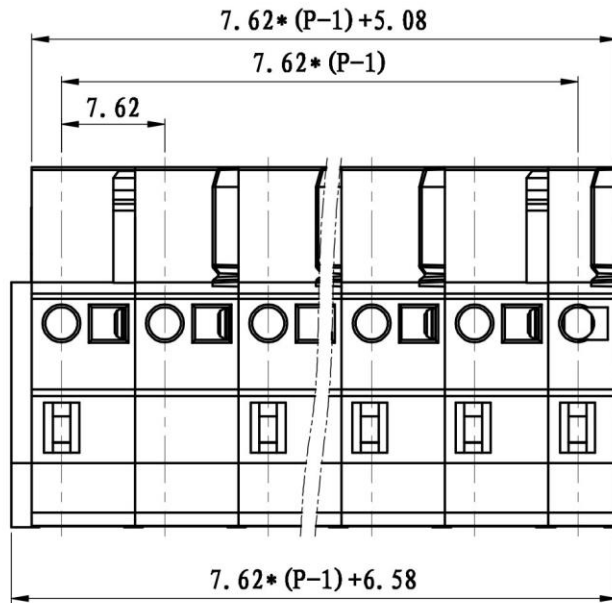
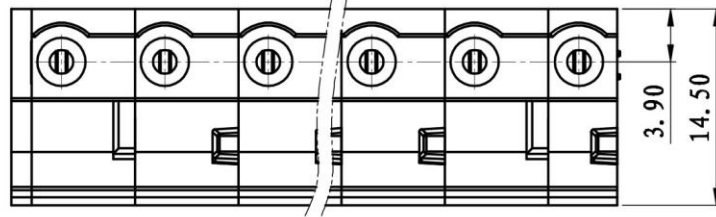
技术要求:

1. 额定电压: 300V, 额定电流: 15A
2. 间距: 7.5mm
3. 耐电压值: AC 2500V/min
4. 绝缘阻抗: 500兆欧
5. 使用条件: -40℃ - +105℃
6. 适用线规: 22-14AWG

	pitch dimension			Nominal dimension					— /
	over 0	over 6	over 10	over 0	over 30	over 60	over 100	over 150	
variable range	to 6	to 10	to 24	to 30	to 60	to 100	to 150		▱
Tolerance	±0.1	±0.15	±0.25	±0.2	±0.3	±0.5	±0.7	±1.0	○

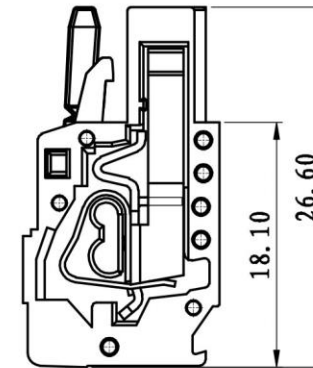
6	LSC1-弹片	F2A0DLSC1BV	P	不锈钢	
5	LSC1-夹子	1056B0001AV	P	磷青铜	镀镍
4	LSC1-5.08-盖板	1056C0Y01AV	1	PA66	
3	LSC1-7.5-中间件	1090A0Y01AV	P-3	PA66	
2	LSC1-5.0-中间件	1074A1Y01AV	1	PA66	
1	LSC1-7.5-边件2	1091A0Y01AV	2	PA66	
NO.	NAME OF PART	NO. OF PART	Q'TY	MATERIAL	NOTES
DES.	LDD	DATE	2012/08/15	UNITS	mm
CHK.	DATE	SIZE	A4	THIRD ANGLE PROJECTION	SHEET
APP.	DATE	SCALE	1:1	DWG NO.	SP-2-1091001
上海有乐电气有限公司 Shanghai YouLe Electric CO.,LTD				TITLE	LSC1B-7.5-XXP-1Y-00A LSC1B-7.5-成品

REVISION RECORD			
REV.	CONTENT	MOD.	DATE
▲	初版发行		



NOTES:
 Pitch : 7.62mm
 Rated Voltage : 300 V
 Rated Current : 15 A
 Withstand Voltage :
 AC2500V for 1 minute
 Insulation Resistance :
 500MΩ / DC500V
 Using Temperature Range :
 -40℃ ~ +105℃
 Wire range : 22~ 14AWG

技术要求:
 间距: 7.62mm
 额定电压: 300V
 额定电流: 15A
 耐电压值: AC2500V/min
 绝缘阻抗: 500MΩ/DC500V
 使用条件: -40℃~+105℃
 适用线规: 22~ 14AWG



	pitch dimension			Nominal dimension					—
	over 0	over 6	over 10	over 0	over 30	over 60	over 100	over 150	
variable range	to 6	to 10	to 24	to 30	to 60	to 100	to 150		▱
Tolerance	±0.1	±0.15	±0.25	±0.2	±0.3	±0.5	±0.7	±1.0	⌒

6	LSC1-弹片	F2A0DLSLC1BV	P	不锈钢	
5	LSC1-夹子	1056B0001AV	P	磷青铜	镀镍
4	LSC1-5.08-盖板	1056C0Y01AV	1	PA66	
3	LSC1-7.62-中间件	1098A0Y01AV	P-3	PA66	
2	LSC1-5.08-中间件	1057A0Y01AV	1	PA66	
1	LSC1-7.62-边件2	1100A0Y01AV	2	PA66	

NO.	NAME OF PART	NO. OF PART	Q'TY	MATERIAL	NOTES
DES.	LDD	DATE	2012/08/15	UNITS	mm
CHK.		DATE		SIZE	A4
APP.		DATE		SCALE	1:1

上海有乐电气有限公司
 Shanghai YouLe Electric CO.,LTD

TITLE

LSC1B-7.62-XXP-1Y-00A
 LSC1B-7.62-成品

THIRD ANGLE PROJECTION	SHEET
1 of 1	
DWG NO.	SP-2-1100001
REV:	V0