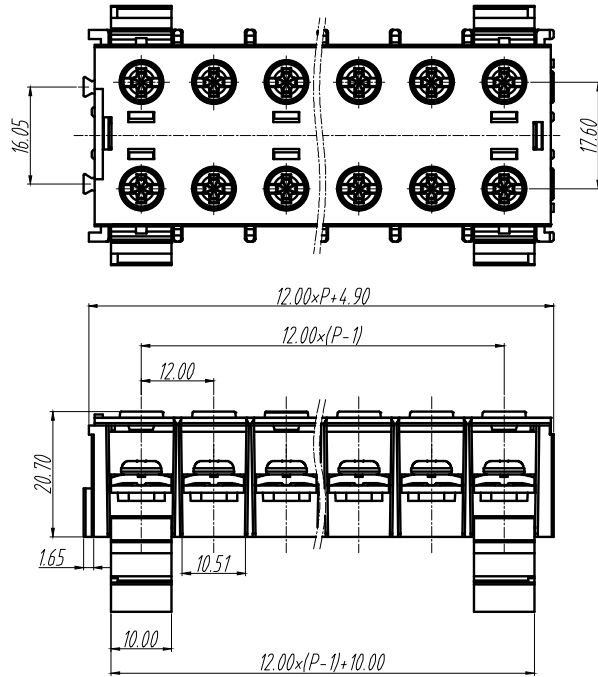


REVISION RECORD

REV.	CONTENT	MOD.	DATE
△	初版发行		

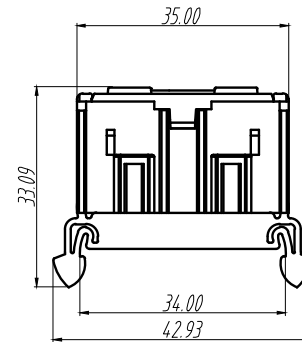


NOTES:

Pitch : 12.0mm  
 Rated Voltage : 600V  
 Rated Current : 25A  
 Withstand Voltage :  
 AC3000V for 1 minute  
 Insulation Resistance :  
 1000MΩ / DC500V  
 Using Temperature Range :  
 - 40 ~ + 105  
 Suitable Electric Wire: 22-14 AWG  
 Screw Torque Value : M4/1.2Nm

技术要求:

间距: 12.0mm  
 额定电压: 600V  
 额定电流: 25A  
 耐电压值: AC3000V/min  
 绝缘阻抗: 1000MΩ/DC500V  
 使用条件: -40℃~+105℃  
 适用线规: 22-14 AWG  
 螺丝扭矩: M4/1.2Nm



	pitch dimension			Nominal dimension					—
	over 0	over 6	over 10	over 0	over 30	over 60	over 100	over 150	
variable range	to 6	to 10	to 24	to 30	to 60	to 100	to 150		□
Tolerance	±0.1	±0.15	±0.25	±0.2	±0.3	±0.5	±0.7	±1.0	0.05/10

7	DG-L-C45/2米	6JH9LDG0001V	1	铝	
6	KJ32-卡脚	6TB1J300253V	2	PA66-V0	黑色
5	标记条		1	A4腹膜纸	
4	4.9*(0.18(三层五形盘罩过8小时) 铜架, 4.9*10*(18(三层五形盘罩过8小时) 铜架		2P	合金铜	镀镍
3	TA-30A导电件	6TBCDD030AV-1	P	黄铜	镀镍
2	TB1-25-HG盖板	6TB1C702050V-H	1	PC	透明
1	TB1-25-H主体	6TB1E302050V-H	1	PC	黑色
NO.	NAME OF PART	NO. OF PART	QTY	MATERIAL	NOTES
DES.	WYY	DATE	2019/07/25	UNITS	mm
CHK.		DATE		SIZE	A4
APP.		DATE		SCALE	1:1
				DWG NO.	SP-1-6TB1H25
				TITLE	TB1-25XX-H-130-00A
					TB1-25XX-H成品



上海有乐电气有限公司  
 Shanghai YouLe Electric CO.,LTD

TITLE

TB1-25XX-H-130-00A  
 TB1-25XX-H成品