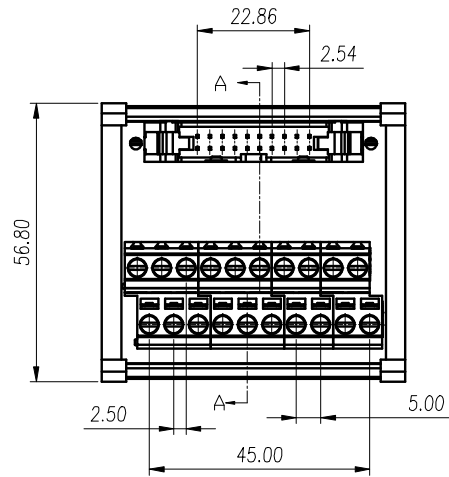
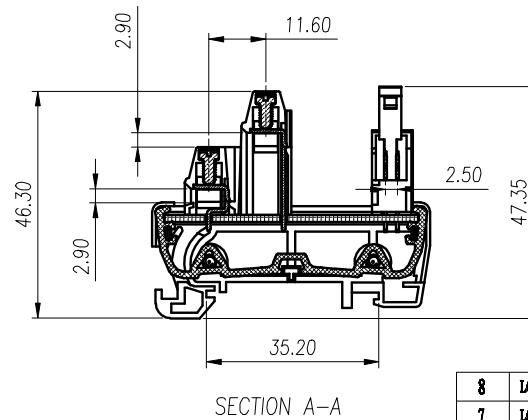
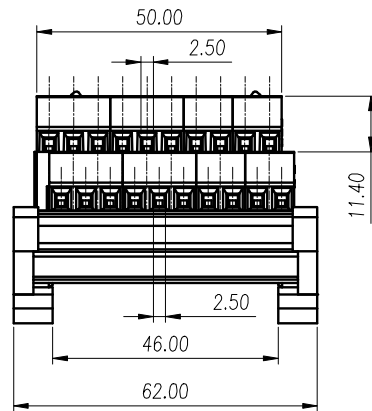


REVISION RECORD

REV.	CONTENT	MOD.	DATE
▲	初版发行		



技术要求:
 间距: 5.0mm
 额定电压: 300V
 额定电流: 10A
 耐电压值: AC2500V/min
 绝缘阻抗: 5MΩ/DC500V
 使用条件: -40℃~+105℃
 适用线规: 26~14AWG
 螺丝扭矩: 0.4Nm



8	LG500BZL-5, 0-2*3-成品	LG500BZL-5, 0-2*3-140-00A	2	PA66	
7	LG500BZL-5, 0-2*2-成品	LG500BZL-5, 0-2*2-140-00A	2	PA66	
6	DC2-20P-牛角插座	6DC2A300207V	1		
5	MJC-F20端子横组基板	4018A0020AV	1		
4	M3, 0*12自攻螺丝	SQZ0A30A203V	4	铁	镀锌
3	JUM-52-主体	6JUMA400013V	1	PA66	绿色
2	JUM-52-右挡板	6JUMC400023V	1	PA66	绿色
1	JUM-52-左挡板	6JUMC400013V	1	PA66	绿色

NO.	NAME OF PART	NO. OF PART	QTY	MATERIAL
DES.	ZGC	DATE	2020/07/08	UNITS mm
CHK.		DATE		SIZE A4
APP.		DATE		SCALE 1:1

THIRD ANGLE PROJECTION SHEET		1 of 1	
DWG NO.	SP-2-GMCF20	REV:	V0
TITLE		MJC-F20 MJC-F20端子模组	

上海有乐电气有限公司
 Shanghai YouLe Electric CO.,LTD

	pitch dimension			Nominal dimension					— /
	over 0	over 6	over 10	over 0	over 30	over 60	over 100	over 150	
variable range	to 6	to 10	to 24	to 30	to 60	to 100	to 150		0.05/10
Tolerance	±0.1	±0.15	±0.25	±0.2	±0.3	±0.5	±0.7	±1.0	