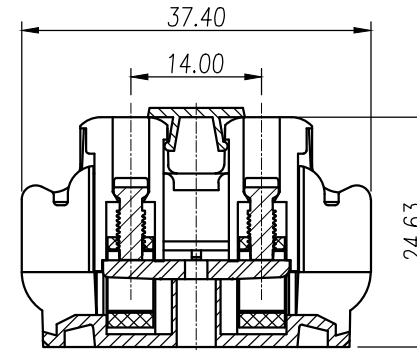
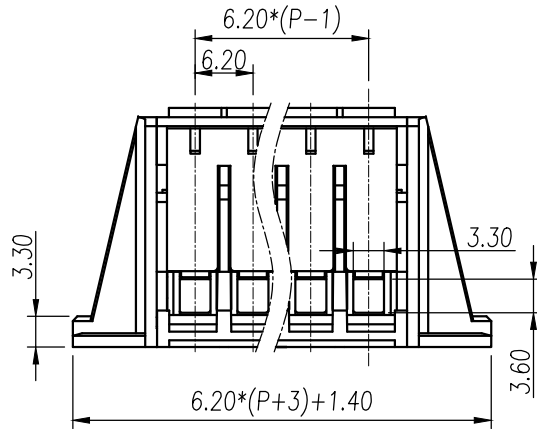
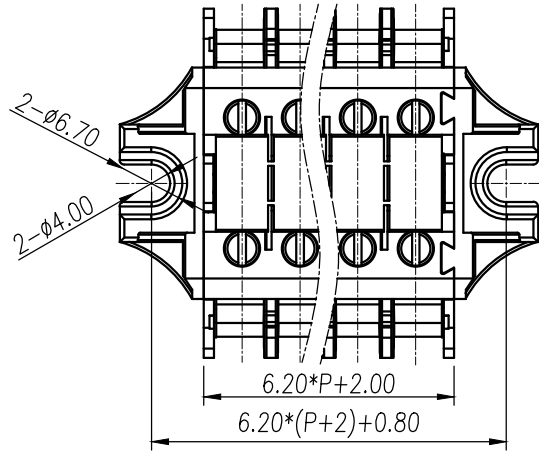


REVISION RECORD			
REV.	CONTENT	MOD.	DATE
△	初版发行		



NOTES:

1. Voltage Rating: 800V, Current Rating: 41A
2. PITCH: 6.20mm
3. Insulation Withstands Voltage: AC3500V/min
4. Insulation Resistance: 500MΩ or more at DC1000V
5. Using Temperature Range: -40° C+105° C
6. Suitable Electric Wire: 0.2-4.0mm²
7. Screw Torque Value: 0.5 N.m

技术要求:

1. 额定电压: 800V, 额定电流: 41A
2. 间距: 6.20mm
3. 耐电压值: AC 3500V/min
4. 绝缘阻抗500兆欧
5. 使用条件: -40° - +105° C
6. 刚柔性导线: 0.2-4.0mm²
7. 螺丝扭力: 0.5 N.m

	pitch dimension			Nominal dimension					— ▱ ⌒
	over 0	over 6	over 10	over 0	over 30	over 60	over 100	over 150	
variable range	to 6	to 10	to 24	to 30	to 60	to 100	to 150		
Tolerance	±0.1	±0.15	±0.25	±0.2	±0.3	±0.5	±0.7	±1.0	0.05/10

8	ZB6标记条	ZB6标记条	P/10		
7	LUK-右固定件	6LUKK0Y0023V	1	PA66	
6	LUK-左固定件	6LUKK0Y0013V	1	PA66	
5	UK5N-导电件	6UK5B00001AV	P	黄铜	镀镍
4	UK5N-铜方块	F000000140V	2P	黄铜	镀镍
3	UK2.5B-螺丝	SSM0300070V	2P	合金铜	镀镍
2	LUK-盖板	6LUK0Y0XX3V	1	PA66	
1	LUK-主体	6LUKE0Y0XX3V	1	PA66	
NO.	NAME OF PART	NO. OF PART	Q'TY	MATERIAL	NOTES
DES.	ZD	DATE	2020/04/25	UNITS	MM
CHK.		DATE		SIZE	A4
APP.		DATE		SCALE	1:1
				DWG NO.	SP-2-LUKM21B
				REV:	V0
 上海有乐电气有限公司 Shanghai YouLe Electric Co., LTD				TITLE	LUKM2-2.5/XX-YY-01B
					LUKM2-2.5成品