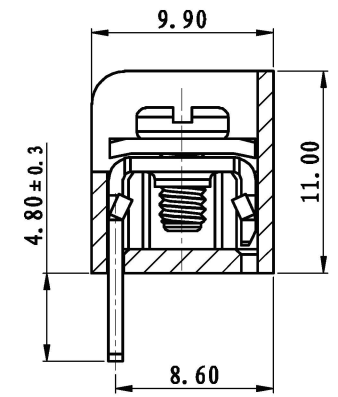
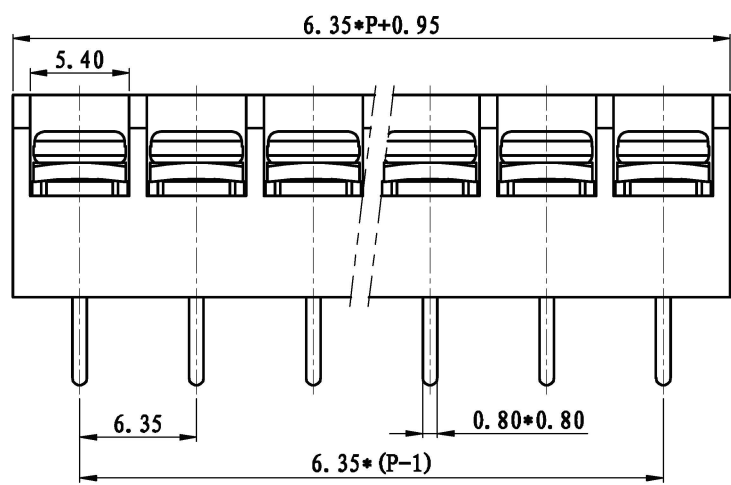
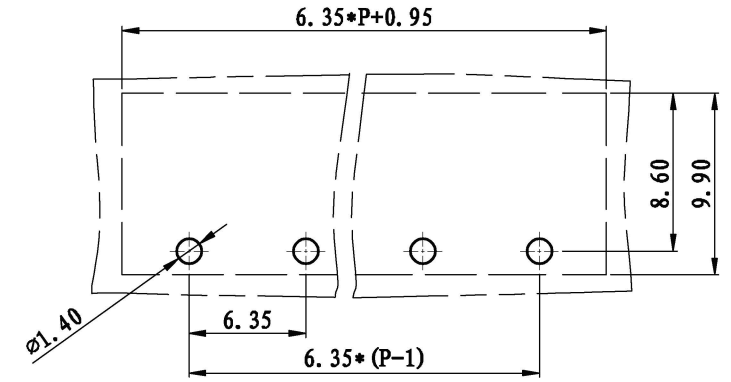
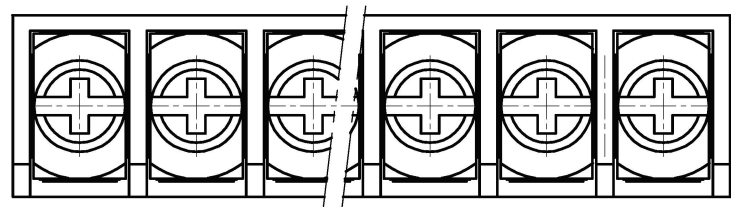


REVISION		RECORD	
REV.	CONTENT	MOD.	DATE
0	初版发行		



NOTES:
 Pitch: 6.35mm
 Rated Voltage: 300V
 Rated Current: 15A
 Withstand Voltage:
 AC2500V for 1 minute
 Insulation Resistance:
 500MΩ / DC500V
 Using Temperature Range:
 -40°C ~ +130°C
 Wire range: 22~14 AWG
 Screw Torque Value: 0.4Nm

技术要求:
 间距: 6.35mm
 额定电压: 300V
 额定电流: 15A
 耐电压值: AC2500V/min
 绝缘阻抗: 500MΩ/DC500V
 使用条件: -40°C~+130°C
 适用线规: 22~14 AWG
 螺丝扭矩: 0.4Nm

	pitch dimension			Nominal dimension					—
	over 0	over 6	over 10	over 0	over 30	over 60	over 100	over 150	
variable range	to 6	to 10	to 24	to 30	to 60	to 100	to 150		
Tolerance	±0.1	±0.15	±0.25	±0.2	±0.3	±0.5	±0.7	±1.0	

3	M2.5*5-5.2*5.2	SPPFA2550A1V	P	碳钢	三价铬钝化彩锌
2	LW3-6.35-焊脚	5016B0001AV	P	黄铜	镀雾锡
1	LW3-6.35-本体	5016A0YXXAV	1	PBT	
NO.	NAME OF PART	NO. OF PART	Q'TY	MATERIAL	NOTES
DES.	ARKINE	DATE	11-06-20	UNITS	MM
CHK.		DATE		SIZE	A4
APP.		DATE		SCALE	1:1
				DWG NO.	SP-2-5016003
				REV:	V0
上海有乐电气有限公司 Shanghai YouLo Electric C O., LTD				TITLE	LW3A-6.35-XXP-1Y-00A
					LW3A-6.35-成品