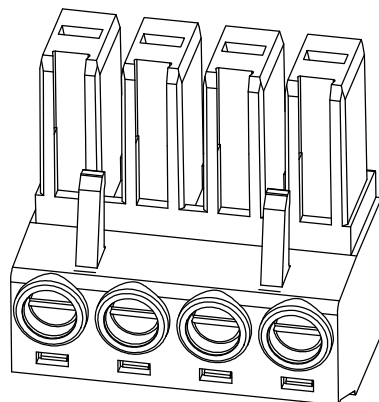
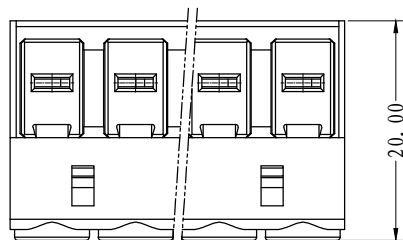
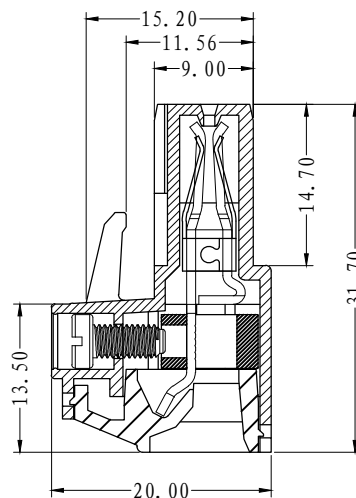
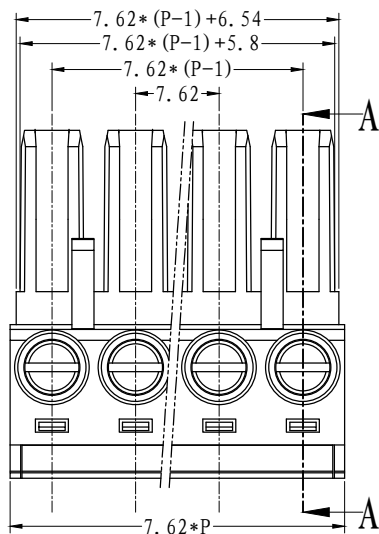


REVISION		RECORD	
REV.	CONTENT	MOD.	DATE
△	初版发行		



NOTES:

1. Voltage Rating: 380V, Current Rating: 32A
2. PITCH: 7.62mm
3. Insulation Withstands Voltage: AC2500V/min
4. Using Temperature Range: -40° C ~ +105° C
5. Suitable Electric Wire: 24-10 AWG
6. Screw Torque Value: 0.5Nm
7. Pole:2-12P



SECTION A-A

技术要求:

1. 额定电压: 380V, 额定电流: 32A
2. 间距: 7.62mm
3. 耐电压值: AC2500V/min
4. 使用条件: -40° - +105°
5. 适用线规: 24-10 AWG
6. 螺丝扭矩: 0.5Nm
7. 极数: 2-12线

6	LC1H-7.62弹片	F2A0DLC1H7BV	P	不锈钢	
5	LG635螺丝 (M3*6.6)	SPOFA306601V	P	碳钢	三价铬钝化彩锌
4	UDK4-铜方块	F1C0BLC1H03V	P	黄铜	镀镍
3	LC1H-7.62-夹子	1153B0001AV	P	紫铜	镀镍
2	LC1H-7.62-盖板	1153COYXXAV	1	PA66-V0	
1	LC1H-7.62-本体	1153A0YXXAV	1	PA66-V0	
NO.	NAME OF PART	NO. OF PART	Q' TY	MATERIAL	NOTES
DES.	CMZ	DATE 2024/08/27	UNITS	MM	THIRD ANGLE PROJECTION SHEET
CHK.		DATE	SIZE	A4	1 of 1
APP.		DATE	SCALE	1:1	DWG NO. SP-2-1048002
				上海有乐电气有限公司 Shanghai YouLe Electric C O .,LTD	
				TITLE	LC1H-7.62-XXP-1Y-00A LC1H-7.62-成品

	pitch dimension			Nominal dimension					— ◇ ○
	over 0	over 6	over 10	over 0	over 30	over 60	over 100	over 150	
variable range	to 6	to 10	to 24	to 30	to 60	to 100	to 150		
Tolerance	±0.1	±0.15	±0.25	±0.2	±0.3	±0.5	±0.7	±1.0	0.05/10