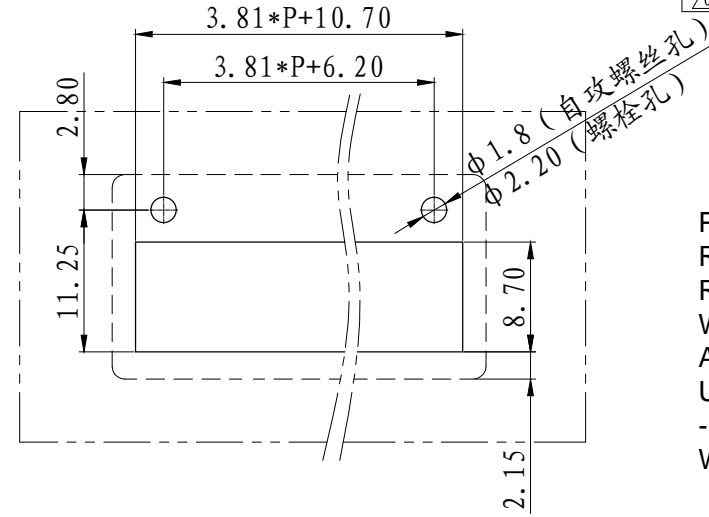
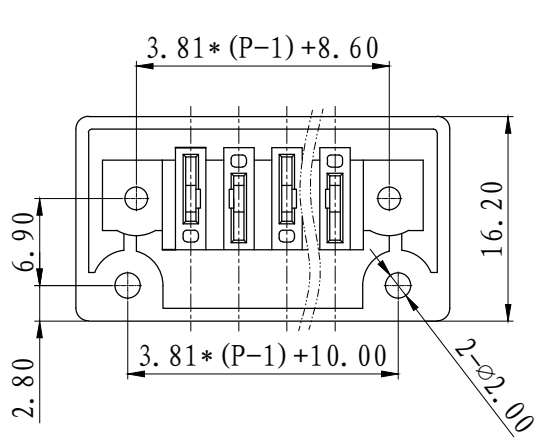
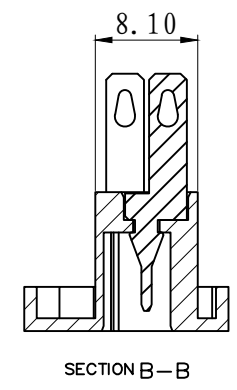
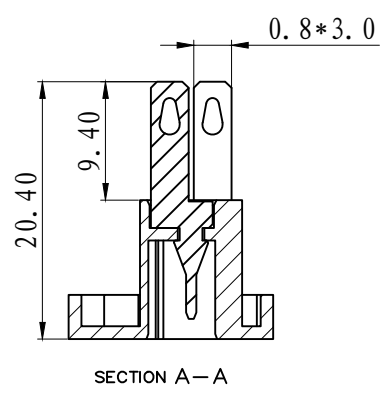
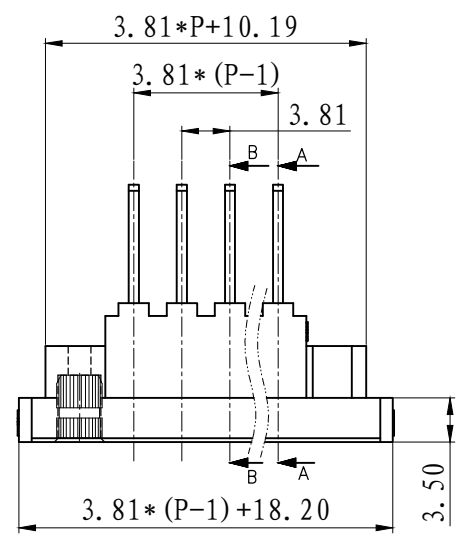


REVISION		RECORD	
REV.	CONTENT	MOD.	DATE
△	初版发行		



**NOTES:**  
 Pitch : 3.81mm  
 Rated Voltage : 300V  
 Rated Current : 8A  
 Withstand Voltage :  
 AC2500V for 1 minute  
 Using Temperature Range :  
 - 40°C ~ + 105°C  
 Wire range : 28~16 AWG



**技术要求:**  
 间距: 3.81mm  
 额定电压: 300V  
 额定电流: 8A  
 耐电压值: AC2500V/min  
 使用条件: -40°C~+105°C  
 适用线规: 28~ 16AWG

	pitch dimension			Nominal dimension					— /
	over 0	over 6	over 10	over 0	over 30	over 60	over 100	over 150	
variable range	to 6	to 10	to 24	to 30	to 60	to 100	to 150		□ ○
Tolerance	±0.1	±0.15	±0.25	±0.2	±0.3	±0.5	±0.7	±1.0	0.05/10

3	LZ1-系列-耳朵螺母	SNM0250010V	2	黄铜	---
2	LZ5M-3.81-焊脚	1017B00010V	P	黄铜	镀雾锡
1	LZ5M-3.81-主体	1017M0YXXAV	1	PA66-V0	
NO.	NAME OF PART	NO. OF PART	Q'TY	MATERIAL	NOTES
DES.	CMZ	DATE	24/08/19	UNITS	MM
CHK.		DATE		SIZE	A4
APP.		DATE		SCALE	1:1
				DWG NO.	SP-2-1017001
<b>上海有乐电气有限公司</b> Shanghai Youle Electric C O. ,LTD				TITLE	LZ5M-3.81-XXP-1Y-00A LZ5M-3.81-成品