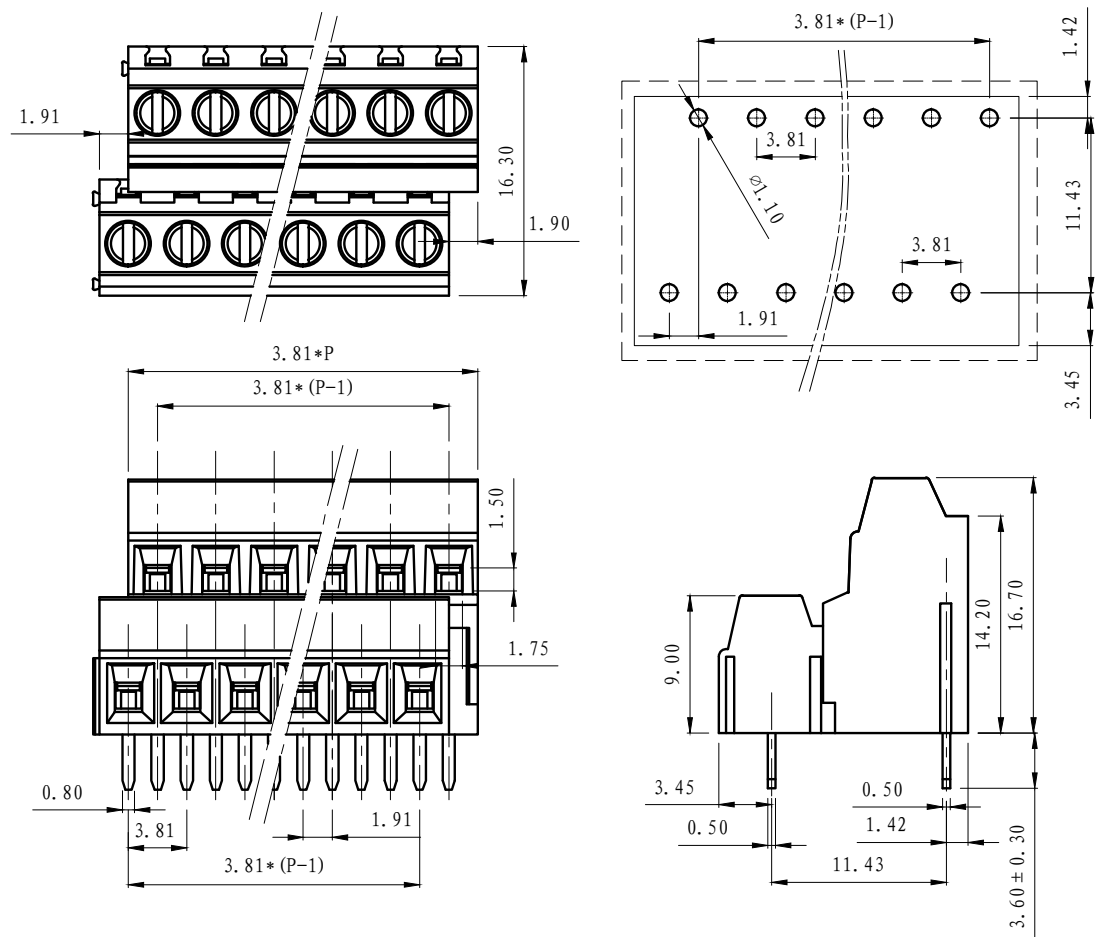


REVISION RECORD			
REV.	CONTENT	MOD.	DATE
△	初版发行		



NOTES1:
 UL Standard:
 1. Voltage Rating: 300V, Current Rating: 8A
 IEC Standard:
 1. Voltage Rating: 200V, Current Rating: 8A

NOTES2:
 1. PITCH: 3.81mm
 2. Insulation Withstands Voltage: AC2500V/min
 3. Insulation Resistance: 500MΩ or more at DC500V
 4. Using Temperature Range: -40℃ - +105℃
 5. Suitable Electric Wire: 26-16AWG
 6. Screw Torque Value: 0.2 N.m

技术要求1:
 UL 标准:
 1. 额定电压: 300V, 额定电流: 8A
 IEC 标准:
 1. 额定电压: 200V, 额定电流: 8A

技术要求2:
 1. 间距: 3.81mm
 2. 耐电压值: AC 2500V/min
 3. 绝缘阻抗: 500MΩ/DC500V
 4. 使用条件: -40℃ - +105℃
 5. 适用线规: 26-16AWG
 6. 螺丝扭力: 0.2 N.m

6	LG381-短焊脚	2036B0001AV	P	黄铜	镀雾锡
5	LG381-3.81-主体	2036A0YXXAV	1	PA66-V0	
4	LG381-中焊脚	2036B0002AV	P	黄铜	镀雾锡
3	LG381-螺丝	SPOYA2033011	P	碳钢	三价铬钝化彩锌
2	LG381-铜方块	F1A0BLG3813V	P	黄铜	镀镍
1	LG381H-3.81-主体	2086A0YXXAV	1	PA66-V0	
NO.	NAME OF PART	NO. OF PART	Q'TY	MATERIAL	NOTES
DES.	ZJL	DATE	2021/7/20	UNITS	mm
CHK.		DATE		SIZE	A4
APP.		DATE		SCALE	1:1
				DWG NO.	SP-2-2037001
				REV:	V0
上海有乐电气有限公司 Shanghai YouLe Electric CO., LTD				TITLE	LG381AZL-3.81-2*XXP-1Y-00A
					LG381AZL-3.81-成品

	pitch dimension			Nominal dimension					— ▭ ⌒
	over 0	over 6	over 10	over 0	over 30	over 60	over 100	over 150	
variable range	to 6	to 10	to 24	to 30	to 60	to 100	to 150		
Tolerance	±0.1	±0.15	±0.25	±0.2	±0.3	±0.5	±0.7	±1.0	0.05/10