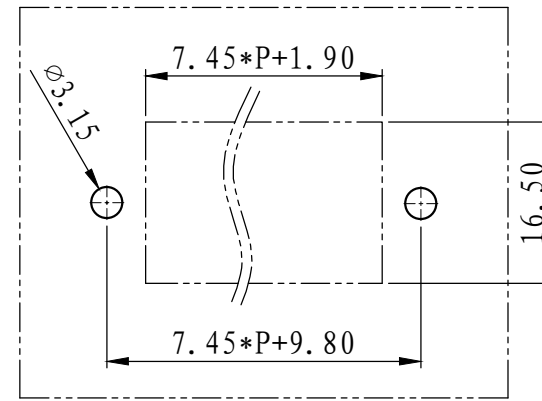
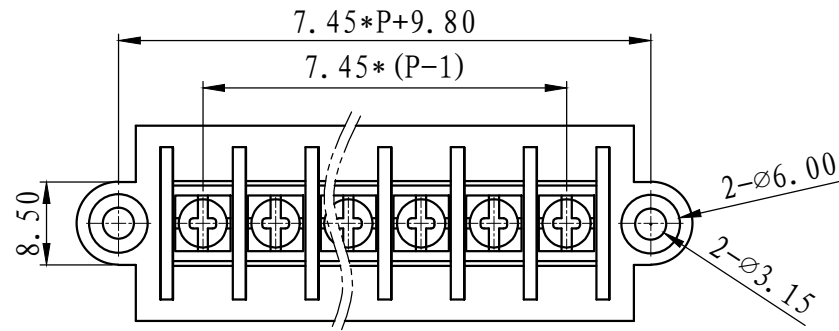
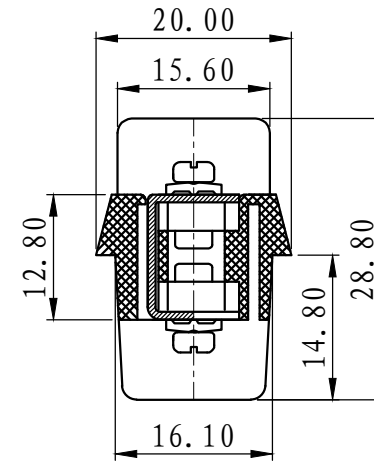
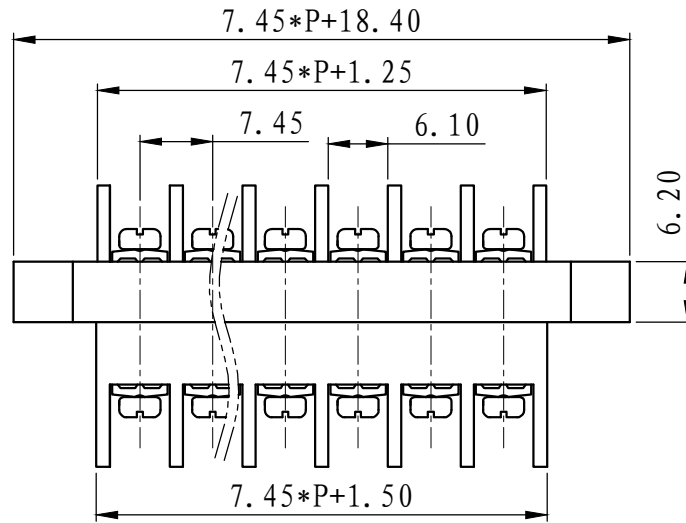


REVISION RECORD			
REV.	CONTENT	MOD.	DATE
△	初版发行		



技术要求:
 额定电压: 600V
 额定电流: 15A
 耐电压值: AC3000V/min
 绝缘阻抗: 1000MΩ/DC500V
 使用条件: -40℃~+105℃
 额定线规: 1.5mm²



	pitch dimension			Nominal dimension					—
	over 0	over 6	over 10	over 0	over 30	over 60	over 100	over 150	
variable range	to 6	to 10	to 24	to 30	to 60	to 100	to 150		▱
Tolerance	±0.1	±0.15	±0.25	±0.2	±0.3	±0.5	±0.7	±1.0	○

4.	M3外六角螺母	SM00A300001V	2P	碳钢	镀锌
3.	JSJ-1.5螺丝	SPFFA308022V	2P	碳钢	三价铬钝化彩锌
2.	JSJ-1.5导电件	6JSJBDD015AV	P	黄铜	镀锌
1.	JSJ-1.5壳	6JSJES11516V	1	PC	
NO.	NAME OF PART	NO. OF PART	Q'TY	MATERIAL	NOTES
DES.	ZD	DATE	2020/6/5	UNITS	MM
CHK.		DATE		SIZE	A4
APP.		DATE		SCALE	1:1
				DWG NO.	SP-2-1001003
				REV:	V0
 上海有乐电气有限公司 Shanghai YouLe Electric Co., LTD				TITLE	JSJ-1.5-XXP-1Y-00A
					JSJ-1.5-成品