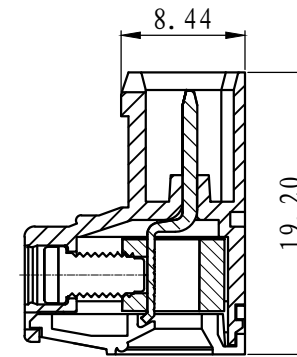
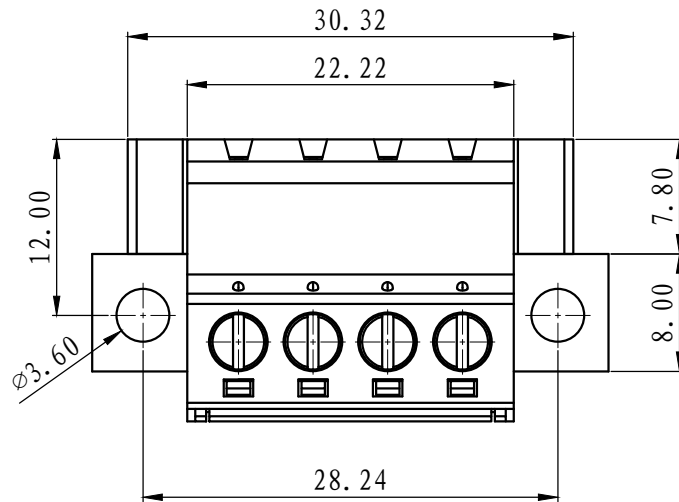
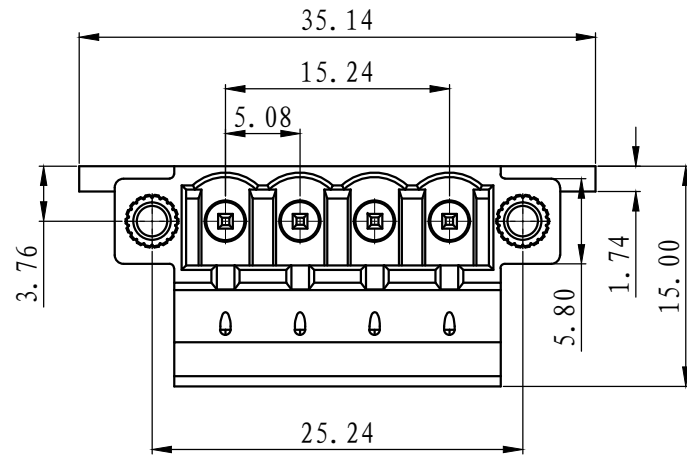


REVISION RECORD			
REV.	CONTENT	MOD.	
△	初版发行		



NOTES:

1. Voltage Rating: 300V, Current Rating: 15A
2. PITCH: 5.08mm
3. Insulation Withstands Voltage: AC2500V/min
4. Insulation Resistance: 500MΩ or more at DC500V
5. Using Temperature Range: -40° C - +105° C
6. Suitable Electric Wire: 24-12AWG
7. Screw Torque Value: 0.5Nm

技术要求:

1. 额定电压: 400V, 额定电流: 12A
2. 间距: 5.08mm
3. 耐电压值: AC 2500V/min
4. 绝缘阻抗: 500兆欧
5. 使用条件: -40° - +105°
6. 适用线规: 24-12AWG
7. 螺丝扭力: 0.5N.m

	pitch dimension			Nominal dimension					— ◇ ○
	over 0 to 6	over 6 to 10	over 10 to 24	over 0 to 30	over 30 to 60	over 60 to 100	over 100 to 150	over 150	
variable range	0 to 6	6 to 10	10 to 24	0 to 30	30 to 60	60 to 100	100 to 150	150	— ◇ ○
Tolerance	±0.1	±0.15	±0.25	±0.2	±0.3	±0.5	±0.7	±1.0	0.05/10

6	LZ1-耳朵螺母	SM01B350000V	2	碳钢	三价铬钝化彩锌
5	LC10-5.08-焊脚	1011B0001AV	P	紫铜	镀雾锡
4	LC1-5.08-螺丝	SPOYB305303V	P	碳钢	三价铬钝化彩锌
3	LC1-5.08-铜方块	F1A0BLC5083V	P	黄铜	镀镍
2	LC1-5.08-盖板	1001COYXXAV	1	PA66-V0	
1	LC10NMG-5.08-本体	1012MOYXXAV	1	PA66-V0	
NO.	NAME OF PART	NO. OF PART	Q' TY	MATERIAL	NOTES
DES.	ARKINE	DATE	2011/02/22	UNITS	MM
CHK.		DATE		SIZE	A4
APP.		DATE		SCALE	1:1
				DWG NO.	SP-2-1012001
				REV:	V0
上海有乐电气有限公司 Shanghai YouLe Electric Co., LTD				TITLE	LC10NMG-5.08-4P-1Y-00A LC10NMG-5.08-成品