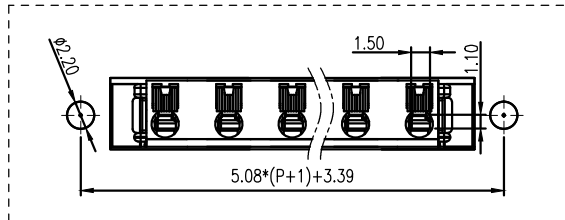


| REVISION RECORD |         |      |      |
|-----------------|---------|------|------|
| REV.            | CONTENT | MOD. | DATE |
| △               | 初版发行    |      |      |

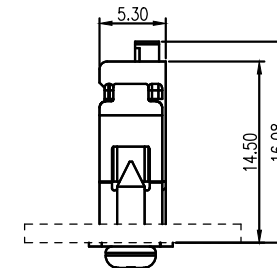
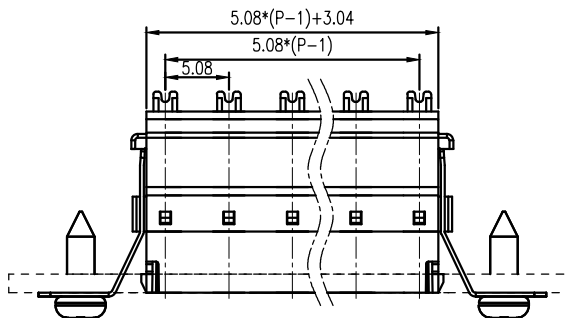
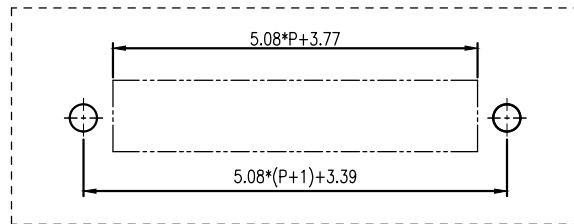


NOTES:

1. Voltage Rating: 160V, Current Rating: 6A
2. PITCH: 5.08mm
3. Insulation Withstands Voltage: AC2000V/min
4. Insulation Resistance: 2.0 MΩ or more at DC500V
5. Using Temperature Range: -40°C ~ +105°C
6. Suitable Electric Wire: 26-20AWG

技术要求:

1. 额定电压: 160V, 额定电流: 6A
2. 间距: 5.08mm
3. 耐压值: AC 2000V/min
4. 绝缘阻抗: 2.0兆欧
5. 使用条件: -40°C ~ +105°C
6. 适用线规: 26-20AWG



TOLERANCES EXCEPT AS NOTED

| variable range | linear dimension |              |                |                 | fillet | chamfer |       | ∠ short angle sid |       |       |        | ≡   | —     | □     | //     | ⊥      |
|----------------|------------------|--------------|----------------|-----------------|--------|---------|-------|-------------------|-------|-------|--------|-----|-------|-------|--------|--------|
|                | to 6             | over 6 to 30 | over 30 to 120 | over 120 to 480 | all    | to 6    | to 10 | to 10             | to 10 | to 50 | to 120 | all | to 5  | to 30 | to 120 | to 120 |
| tolerance      | ±0.1             | ±0.2         | ±0.3           | ±0.5            | ±0.2   | ±0.5    | ±1    | 1'                | 30'   | 20'   | 10'    | 0.3 | 0.025 | 0.06  | 0.12   | 0.4    |

| 7   | M2.2*6.5圆头自攻螺丝 | SQZSA226509V  | 2         | 碳钢                     | 蓝白锌                                      |
|---|----------------|---------------|-----------|------------------------|--|
| 6   | LC80C-2.54穿墙件  | 1170B0002AV   | 2         | SUS301                 |  |
| 5   | LC80针          | 1170B0001AV   | 2         | 磷青铜                    | 镀亮锡                                      |
| 4   | LC8-2.54弹片     | 1169B0002AV   | P         | 不锈钢                    |  |
| 3   | LC8按钮          | 1169D0Y01AV   | P         | PA66                   |  |
| 2   | LZ8X-5.08主体    | 1200A0YXXAV   | 1         | PA66                   |  |
| 1   | LC8XM-5.08主体   | 1197M0YXXAV   | 1         | PA66                   |  |
| NO.   | NAME OF PART   | NO. OF PART   | Q'TY      | MATERIAL               | NOTES                                    |
| DES.  | WYY            | DATE 22/10/29 | UNITS mm  | THIRD ANGLE PROJECTION |  |
| CHK.  |                | DATE          | SIZE A4   |                        |  |
| APP.  |                | DATE          | SCALE 1:1 | DWG NO.                | SP-2-1172001 REV: V0                     |
| 上海有乐电气有限公司<br>Shanghai YouLe Electric CO.,LTD |                |               |           | TITLE                  | LC80XC-5.08-XXP-1Y-00A<br>LC80XC-5.08-成品 |