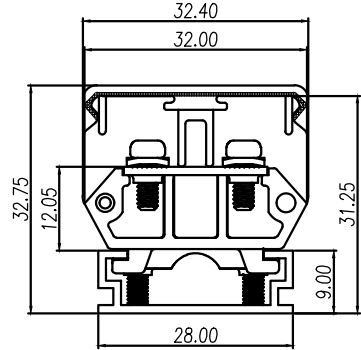
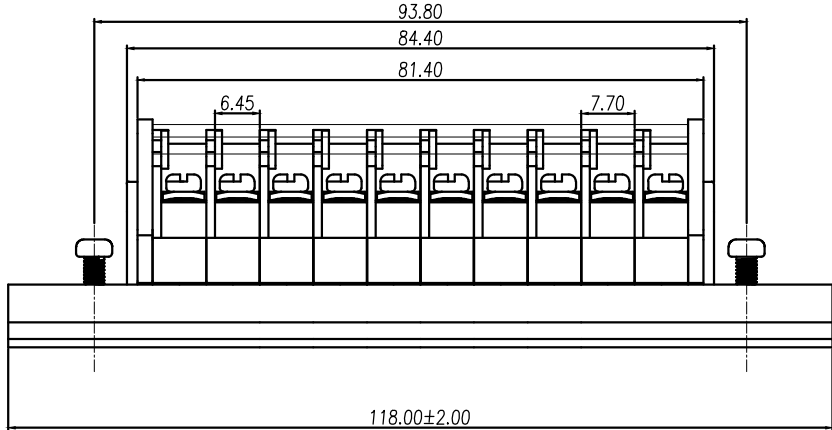
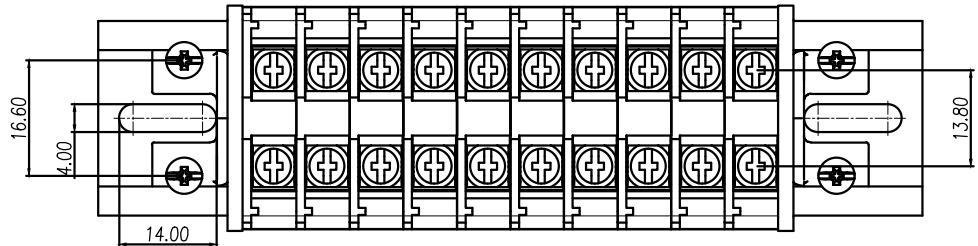


REVISION RECORD			
REV.	CONTENT	MOD.	DATE
△	初版发行		



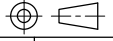
技术要求:  
 间距: 7.70mm  
 额定电压: 660V  
 额定电流: 17.5A  
 螺钉类型: M3  
 绝缘材料类型: PC  
 阻燃等级: V1  
 导线截面: 0.3-2.0mm<sup>2</sup>  
 适用线规: 22~14AWG

	pitch dimension			Nominal dimension					— ▱ ⤿
	over 0 to 6	over 6 to 10	over 10 to 24	over 0 to 30	over 30 to 60	over 60 to 100	over 100 to 150	over 150	
variable range	0	6	10	0	30	60	100	150	
Tolerance	±0.1	±0.15	±0.25	±0.2	±0.3	±0.5	±0.7	±1.0	0.05/10

8.	JH9-白条	SPFFA308022V	1	PC	
7.	JH9-15A罩盖	6JH9A701750V	1	PC	透明
6.	JH9-导轨	6JHYDD00UAV	1	铝	
5.	M3*8-6*6(螺丝)	SQFFA308029V	2P	碳钢	镀三价铬五彩锌
4.	JH9-固定件	6JHYDD063AV	2	铁	镀锌
3.	JH9-15导电件	6JH9BDD015AV	P	黄铜	镀镍
2.	JH9 (TD)-15G-挡板	6JH9G301750V	2	PC	黑色
1.	JH9 (TD)-15A-主体	6JH9A301750V	P	PC	黑色

NO.	NAME OF PART	NO. OF PART	Q'TY	MATERIAL	NOTES
DES.	WYY	DATE	2023/06/16	UNITS	MM
CHK.		DATE		SIZE	A4
APP.		DATE		SCALE	1:1

 上海有乐电气有限公司  
Shanghai YouLe Electric CO., LTD

THIRD ANGLE PROJECTION	SHEET
	1 of
DWG NO. S-1-4022A01	REV: V0
TITLE	JH9 (TD)-1510-1Y-00A JH9 (TD)-15A-成品