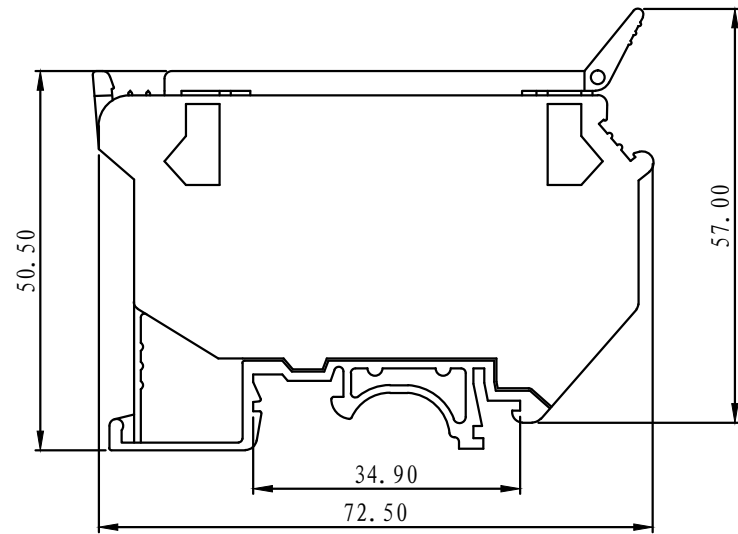
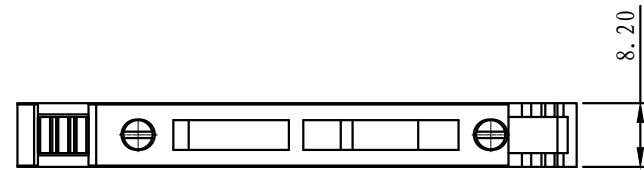
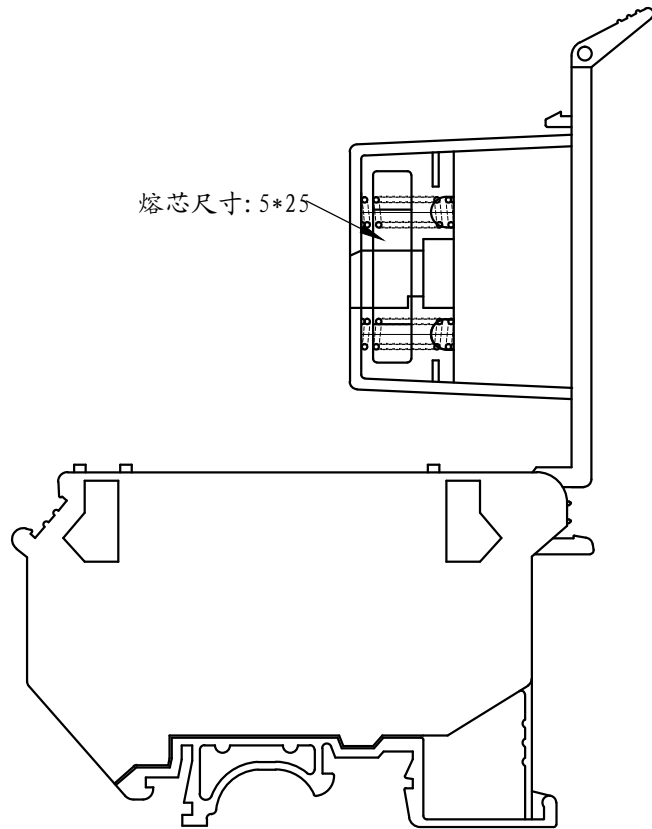


REVISION RECORD			
REV.	CONTENT	MOD.	DATE
△	初版发行		



技术要求:
 额定电压: 600V
 额定电流: 10A
 螺钉类型/扭力: M3/0.5 N.m
 绝缘材料类型: PA66
 阻燃等级: V0
 线径: 0.2-4mm²
 熔芯尺寸: 5*25

	pitch dimension			Nominal dimension					— /
	over 0 to 6	over 6 to 10	over 10 to 24	over 0 to 30	over 30 to 60	over 60 to 100	over 100 to 150	over 150	
variable range	0	6	10	0	30	60	100	150	— /
Tolerance	±0.1	±0.15	±0.25	±0.2	±0.3	±0.5	±0.7	±1.0	0.05/10

NO.	NAME OF PART		NO. OF PART	Q'TY	MATERIAL	NOTES	
DES.	WYY	DATE	2023/04/13	UNITS	MM	THIRD ANGLE PROJECTION	SHEET
CHK.		DATE		SIZE	A4		1 of 1
APP.		DATE		SCALE	1:1		DWG NO. SP-2-1169001
上海有乐电气有限公司 Shanghai YouLe Electric Co., LTD						TITLE	UK5-HESI-熔断型 UK5-HESI-熔断型-成品