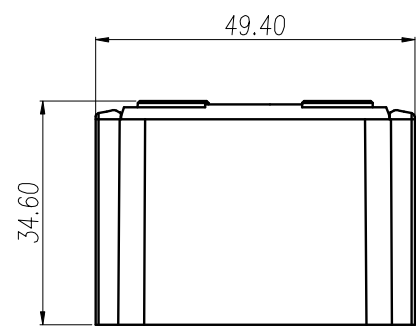
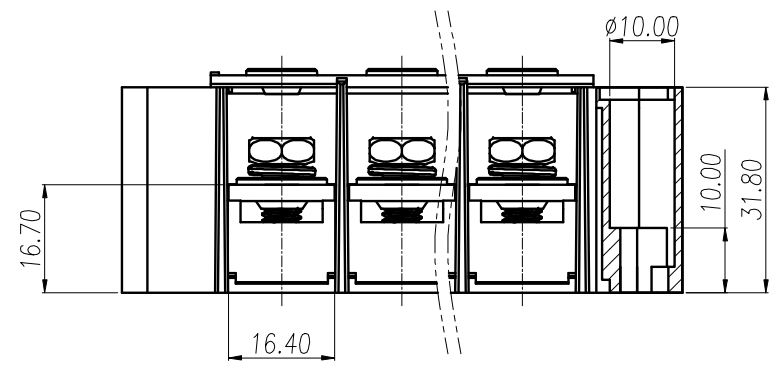
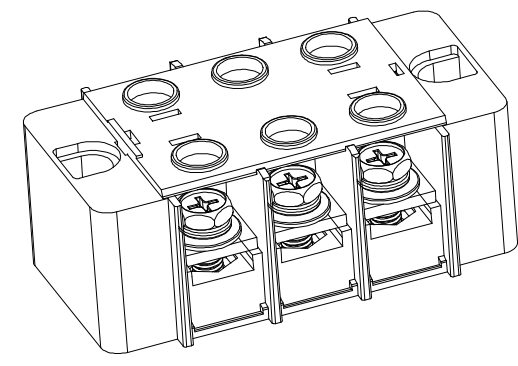
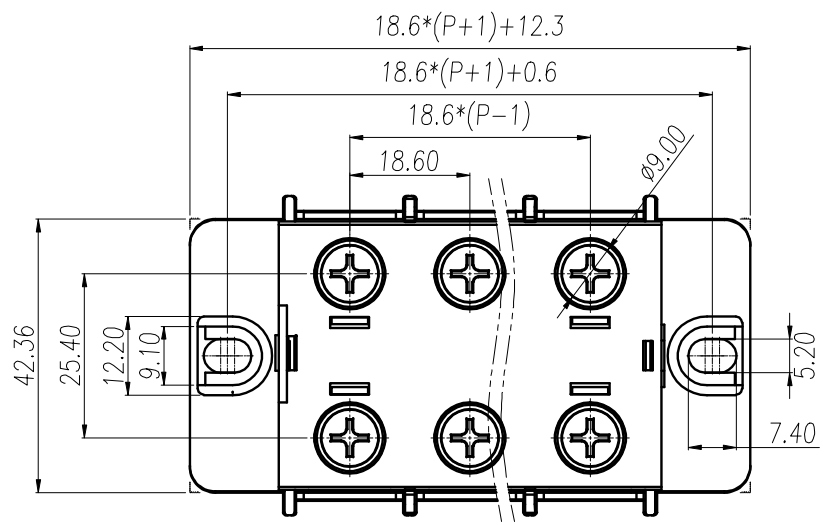


REVISION RECORD			
REV.	CONTENT	MOD.	DATE
1	初版发行		



技术要求:
额定电压: 600V
额定电流: 101A
螺钉类型/扭力: M6/3.0 Nm
绝缘材料类型: PC
阻燃等级: V0
导线截面: 25mm² max

	pitch dimension			Nominal dimension					—
	over 0	over 6	over 10	over 0	over 30	over 60	over 100	over 150	
variable range	to 6	to 10	to 24	to 30	to 60	to 100	to 150	to 150	▱
Tolerance	±0.1	±0.15	±0.25	±0.2	±0.3	±0.5	±0.7	±1.0	⌒

5	标记条		1	A4膜纸	空白
4	6*12-14圆三铁外六角+字	6*12-14圆三铁外六角+字	2P	碳钢	镀蓝白锌
3	JH9-100ADDJ-导电件	JH9-100A导电件	P	黄铜	镀镍
2	TB1-100XX-A盖板	6TB1C70XX000V	1	PC	透明
1	TB1-100XX-A主体	6TB1A30XX000V	1	PC	黑色
NO.	NAME OF PART	NO. OF PART	QTY	MATERIAL	NOTES
DES.	HH	DATE	2021/07/19	UNITS	mm
CHK.		DATE		SIZE	A4
APP.		DATE		SCALE	1:1
				THIRD ANGLE PROJECTION	SHEET 1 of 1
				DWG NO.	SP-2-6TB1001
				REV:	V0
上海有乐电气有限公司 Shanghai YouLe Electric CO.,LTD				TITLE	TB1-100XX-A-130-00A TB1-100XX-A成品