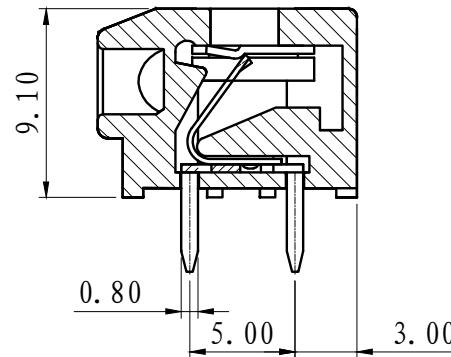
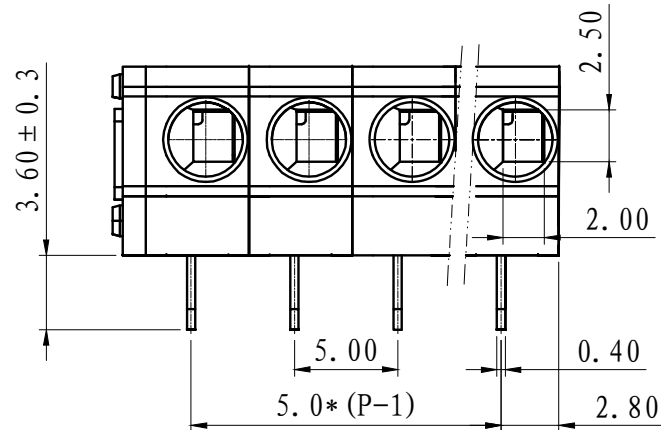
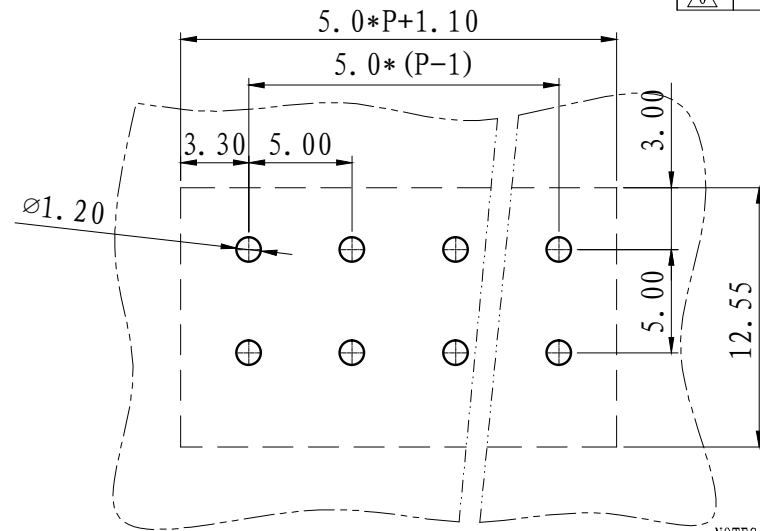
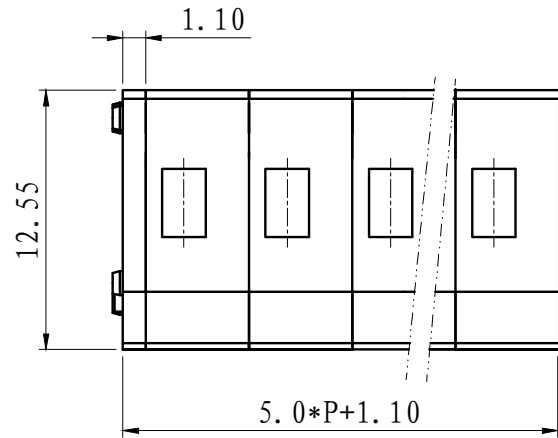


REVISION RECORD			
REV.	CONTENT	MOD.	DATE
△	初版发行		



NOTES:

1. Voltage Rating: 300V, Current Rating: 5A
2. PITCH: 5.0mm
3. Insulation Withstands Voltage: AC2500V/min
4. Insulation Resistance: 500MΩ or more at DC500V
5. Using Temperature Range: -40° C +105° C
6. Suitable Electric Wire: 20-18AWG
7. Button down pressure range: 28-55N
8. Stripping length: 8mm-10mm

技术要求:

1. 额定电压: 300V, 额定电流: 5A
2. 间距: 5.0mm
3. 耐压值: AC 2500V/min
4. 绝缘阻抗500兆欧
5. 使用条件: -40° - +105°
6. 适用线规: 20-18AWG
7. 按钮下压力范围为: 28-55N
8. 剥线长度: 8mm-10mm

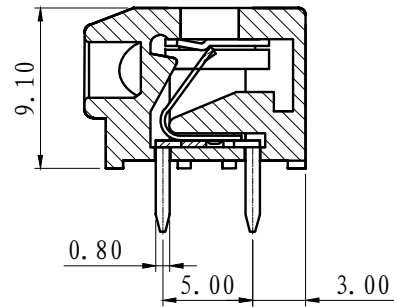
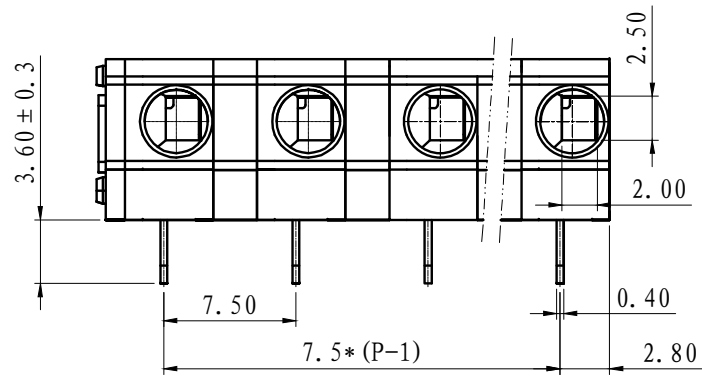
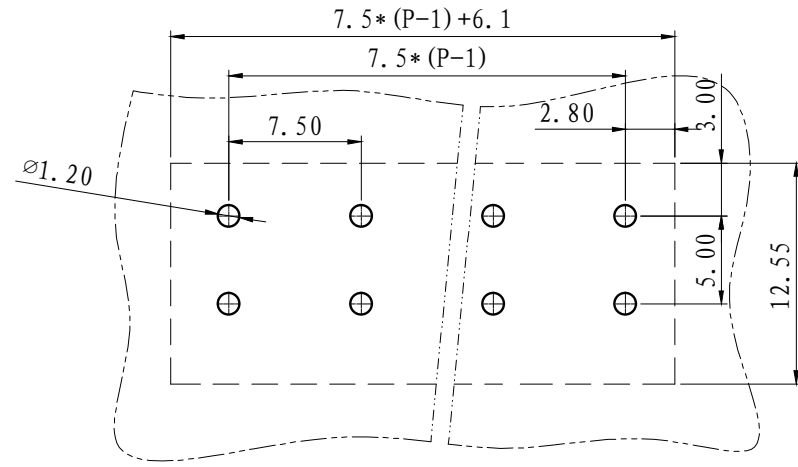
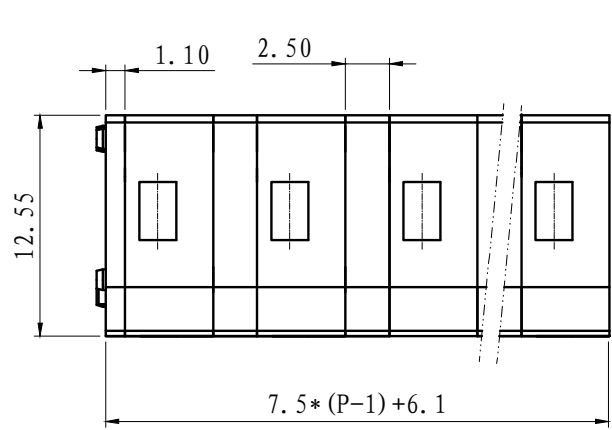
	pitch dimension			Nominal dimension					— /
	over 0	over 6	over 10	over 0	over 30	over 60	over 100	over 150	
variable range	to 6	to 10	to 24	to 30	to 60	to 100	to 150		
Tolerance	±0.1	±0.15	±0.25	±0.2	±0.3	±0.5	±0.7	±1.0	0.05/10

4	LS235-焊脚	3001B0001AV	P	磷青铜	镀雾锡
3	LS235-弹片	F2A0DLS235BV	P	不锈钢	
2	LS235-盖板	3001C0Y01AV	1	PA66-V0	
1	LS235W-5.0-主体	3013A0Y01AV	P	PA66-V0	
NO.	NAME OF PART	NO. OF PART	Q' TY	MATERIAL	NOTES
DES.	ARKINE	DATE	2011/03/14	UNITS	MM
CHK.		DATE		SIZE	A4
APP.		DATE		SCALE	1:1
				DWG NO.	SP-2-3013001
				REV:	V0
				TITLE	LS235W-5.0-XXP-1Y-00A
					LS235W-5.0-成品



上海有乐电气有限公司
Shanghai Youle Electric Co., LTD

REVISION		RECORD	
REV.	CONTENT	MOD.	DATE
△	初版发行		



- NOTES:
1. Voltage Rating: 300V, Current Rating: 5A
 2. PITCH: 7.5mm
 3. Insulation Withstands Voltage: AC2500V/min
 4. Insulation Resistance: 500MΩ or more at DC500V
 5. Using Temperature Range: -40° C - +105° C
 6. Suitable Electric Wire: 20-18AWG
 7. Button down pressure range: 28-55N
 8. Stripping length: 8-10mm

- 技术要求:
1. 额定电压: 300V, 额定电流: 5A
 2. 间距: 7.5mm
 3. 耐电压值: AC 2500V/min
 4. 绝缘阻抗500兆欧
 5. 使用条件: -40° - +105°
 6. 适用线规: 20-18AWG
 7. 按钮下压力范围为: 28-55N
 8. 剥线长度: 8-10mm

	pitch dimension			Nominal dimension					— /
	over 0	over 6	over 10	over 0	over 30	over 60	over 100	over 150	
variable range	to 6	to 10	to 24	to 30	to 60	to 100	to 150		□ ○
Tolerance	±0.1	±0.15	±0.25	±0.2	±0.3	±0.5	±0.7	±1.0	0.05/10

5	LS235-焊脚	3001B0001AV	P	磷青铜	镀雾锡
4	LS235-弹片	F2A0DLS235BV	P	不锈钢	
3	LS235-盖板	3001C0Y01AV	1	PA66-V0	
2	LS235-2.5-隔板	3001H0Y01AV	P-1	PA66-V0	
1	LS235W-5.0-主体	3013A0Y01AV	P	PA66-V0	
NO.	NAME OF PART	NO. OF PART	Q' TY	MATERIAL	NOTES
DES.	ARKINE	DATE	2011/03/14	UNITS	MM
CHK.		DATE		SIZE	A4
APP.		DATE		SCALE	1: 1
				DWG NO.	SP-2-3013002
				REV:	V0
上海有乐电气有限公司 Shanghai Youle Electric Co., LTD				TITLE	LS235W-7.5-XXP-1Y-00A
					LS235W-7.5-成品