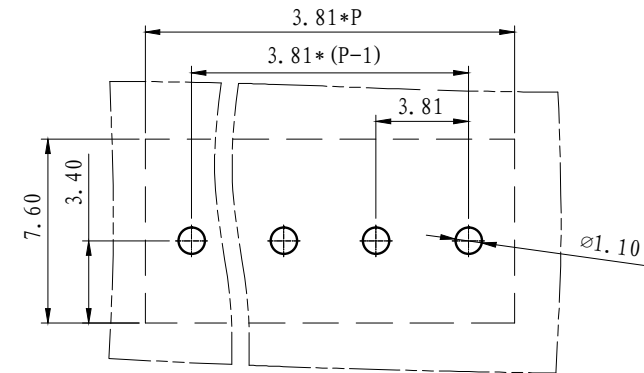
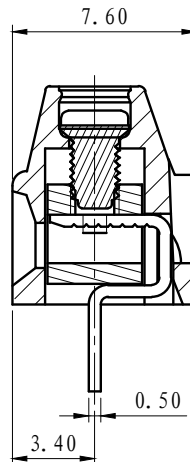
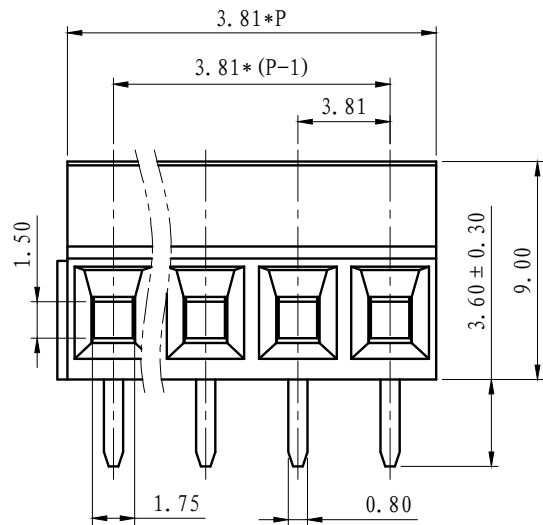
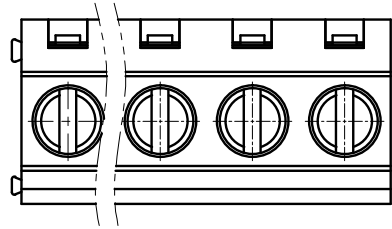


| REVISION RECORD |         |      |      |
|-----------------|---------|------|------|
| REV.            | CONTENT | MOD. | DATE |
| △               | 出版发行    |      |      |



NOTES1:

UL Standard:

1. Voltage Rating: 300V, Current Rating: 8A

IEC Standard:

1. Voltage Rating: 200V, Current Rating: 8A

技术要求1:

UL 标准:

1. 额定电压: 300V, 额定电流: 8A

IEC 标准:

1. 额定电压: 200V, 额定电流: 8A

NOTES2:

1. PITCH: 3.81mm

2. Insulation Withstands Voltage: AC2500V/min

3. Insulation Resistance: 500MΩ or more at DC500V

4. Using Temperature Range: -40°C - +105°C

5. Suitable Electric Wire: 26-16AWG

6. Screw Torque Value: 0.2 N.m

技术要求2:

1. 间距: 3.81mm

2. 耐电压值: AC 2500V/min

3. 绝缘阻抗: 500MΩ/DC500V

4. 使用条件: -40°C - +105°C

5. 适用线规: 26-16AWG

6. 螺丝扭力: 0.2 N.m

|                | pitch dimension |        |         | Nominal dimension |         |         |          |          | —<br>◇<br>○ |
|----------------|-----------------|--------|---------|-------------------|---------|---------|----------|----------|-------------|
|                | over 0          | over 6 | over 10 | over 0            | over 30 | over 60 | over 100 | over 150 |             |
| variable range | to 6            | to 10  | to 24   | to 30             | to 60   | to 100  | to 150   |          |             |
| Tolerance      | ±0.1            | ±0.15  | ±0.25   | ±0.2              | ±0.3    | ±0.5    | ±0.7     | ±1.0     | 0.05/10     |

| 4    | LG381-螺丝                | SP0YA203301V   | P        | 碳钢       | 三价铬钝化彩锌               |
|------|-------------------------|----------------|----------|----------|-----------------------|
| 3    | LG381-铜方块               | F1A0BLG3813V   | P        | 黄铜       | 镀镍                    |
| 2    | LG381-短焊脚               | 2036B0001AV    | P        | 黄铜       | 镀雾锡                   |
| 1    | LG381-3.81-主体 (拼接背部无燕尾) | 2036A0YXXAVP-1 | 1        | PA66     |                       |
| NO.  | NAME OF PART            | NO. OF PART    | Q'TY     | MATERIAL | NOTES                 |
| DES. | WY                      | DATE           | 2021-4-8 | UNITS    | mm                    |
| CHK. |                         | DATE           |          | SIZE     | A4                    |
| APP. |                         | DATE           |          | SCALE    | 1:1                   |
|      |                         |                |          | DWG NO.  | SP-2-2036002          |
|      |                         |                |          | TITLE    | LG381-3.81-XXP-1Y-01A |
|      |                         |                |          |          | LG381-3.81-成品 (拼接)    |



上海有乐电气有限公司  
Shanghai YouLe Electric CO., LTD

TITLE

LG381-3.81-XXP-1Y-01A  
LG381-3.81-成品 (拼接)