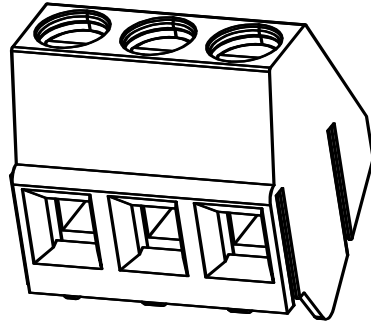
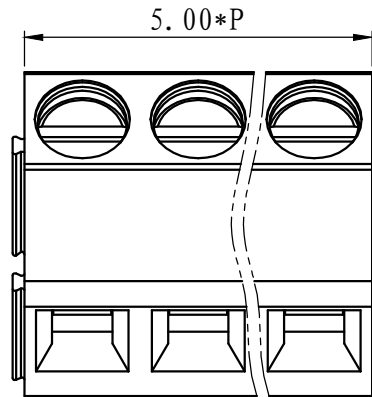


REVISION		RECORD	
REV.	CONTENT	MOD.	DATE
△	新发行		

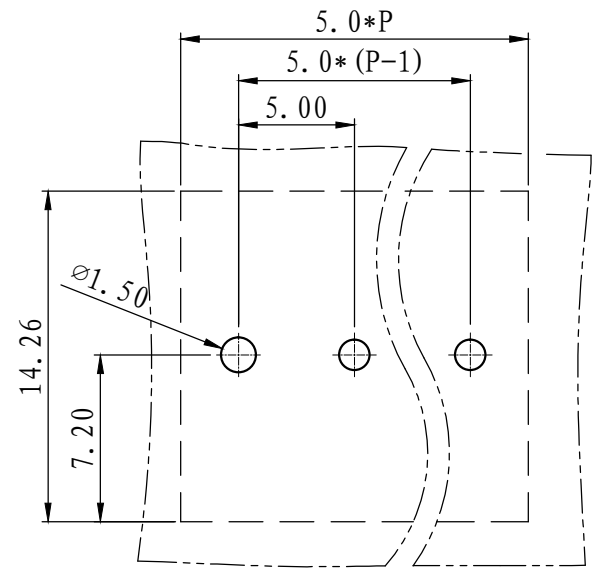
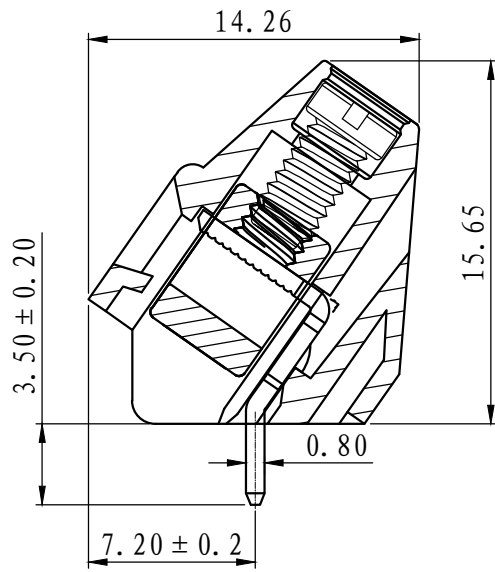
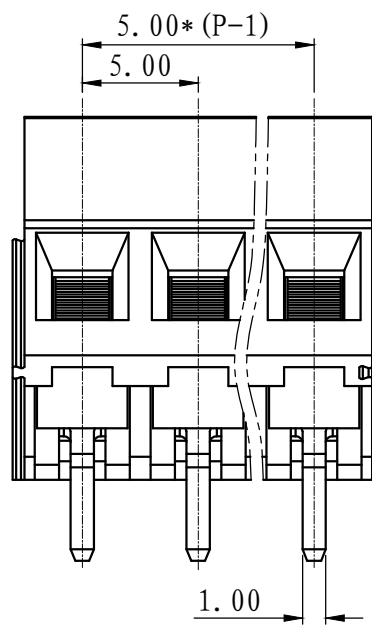


NOTES:

1. Voltage Rating: 300V, Current Rating: 15A
2. PITCH: 5.0mm
3. Insulation Withstands Voltage: AC2500V/min
4. Insulation Resistance: 500MΩ or more at DC500V
5. Using Temperature Range: -40° C - +105° C
6. Suitable Electric Wire: 26-14AWG
7. Screw Torque Value: 0.5Nm

技术要求:

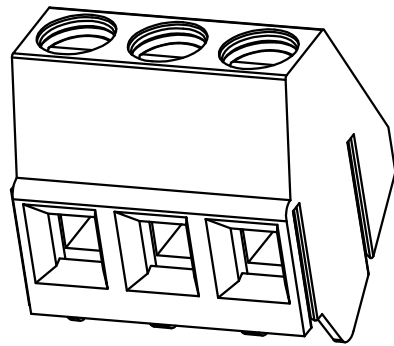
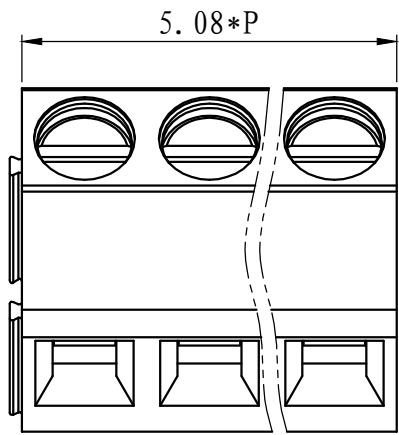
1. 额定电压: 300V, 额定电流: 15A
2. 间距: 5.0mm
3. 耐压值: AC 2500V/min
4. 绝缘阻抗: 500兆欧
5. 使用条件: -40° - +105°
6. 适用线规: 26-14AWG
7. 螺丝扭力: 0.5Nm



	pitch dimension			Nominal dimension					— ◇ ○
	over 0 to 6	over 6 to 10	over 10 to 24	over 0 to 30	over 30 to 60	over 60 to 100	over 100 to 150		
variable range	0 to 6	6 to 10	10 to 24	0 to 30	30 to 60	60 to 100	100 to 150	0.05/10	
Tolerance	±0.1	±0.15	±0.25	±0.2	±0.3	±0.5	±0.7	±1.0	

4	LC1-5.08螺丝	SPOYA305301V	P	碳钢	三价铬钝化彩锌
3	LC1-5.08-铜方块	F1A0BLC50830	P	黄铜	镀镍
2	LG103-焊脚	2026B0001AV	P	黄铜	镀雾锡
1	LG103-5.0-本体	2026A0YXXAV	1	PA66-V0	
NO.	NAME OF PART	NO. OF PART	Q'TY	MATERIAL	NOTES
DES.	ZD	DATE	21-1-23	UNITS	MM
CHK.		DATE		SIZE	A4
APP.		DATE		SCALE	1: 1
				DWG NO.	SP-2-2026001
				REV.	V0
上海有乐电气有限公司 Shanghai Youle Electric Co., Ltd				TITLE	LG103-5.0-XXP-1Y-00A (M3孔) LG103-5.0-成品

REVISION RECORD			
REV.	CONTENT	MOD.	DATE
△	新发行		

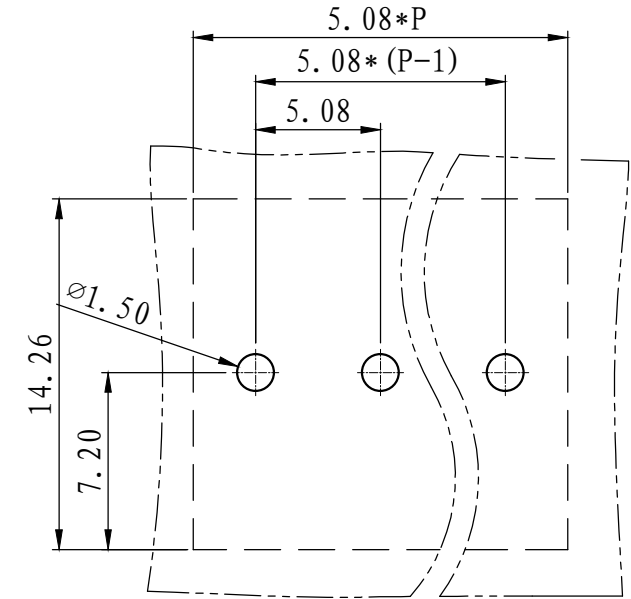
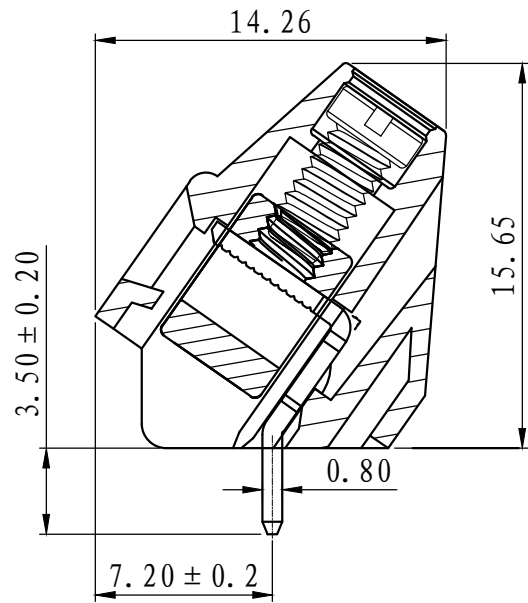
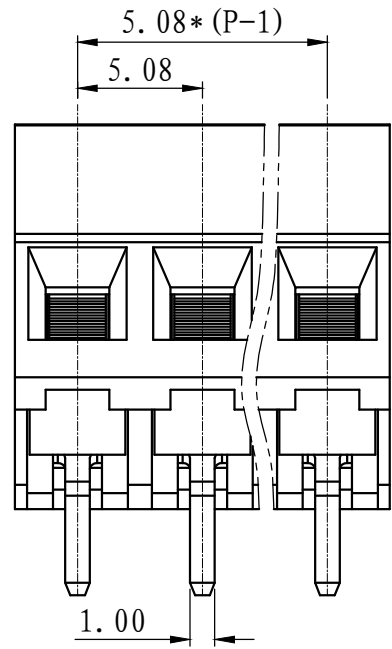


NOTES:

1. Voltage Rating: 300V, Current Rating: 15A
2. PITCH: 5.0mm
3. Insulation Withstands Voltage: AC2500V/min
4. Insulation Resistance: 500MΩ or more at DC500V
5. Using Temperature Range: -40° C - +105° C
6. Suitable Electric Wire: 26-14AWG
7. Screw Torque Value: 0.5Nm

技术要求:

1. 额定电压: 300V, 额定电流: 15A
2. 间距: 5.0mm
3. 耐电压值: AC 2500V/min
4. 绝缘阻抗: 500兆欧
5. 使用条件: -40° - +105°
6. 适用线规: 26-14AWG
7. 螺丝扭力: 0.5Nm



	pitch dimension			Nominal dimension					— ◇ ○
	over 0	over 6	over 10	over 0	over 30	over 60	over 100	over 150	
variable range	to 6	to 10	to 24	to 30	to 60	to 100	to 150		
Tolerance	±0.1	±0.15	±0.25	±0.2	±0.3	±0.5	±0.7	±1.0	0.05/10

4	LC1-5.08螺丝	SPOYA305301V	P	碳钢	三价铬钝化彩锌
3	LC1-5.08-铜方块	F1A0BLC50830	P	黄铜	镀镍
2	LG103-焊脚	2026B0001AV	P	黄铜	镀雾锡
1	LG103-5.08-本体	2027A0YXXAV	1	PA66-V0	
NO.	NAME OF PART	NO. OF PART	Q'TY	MATERIAL	NOTES
DES.	ZD	DATE	21-1-23	UNITS	MM
CHK.		DATE		SIZE	A4
APP.		DATE		SCALE	1: 1
				DWG NO.	SP-2-2027001
				REV:	V0
上海有乐电气有限公司 Shanghai Youle Electric Co., LTD				TITLE	LG103-5.08-XXP-1Y-00A(M3孔)
					LG103-5.08-成品