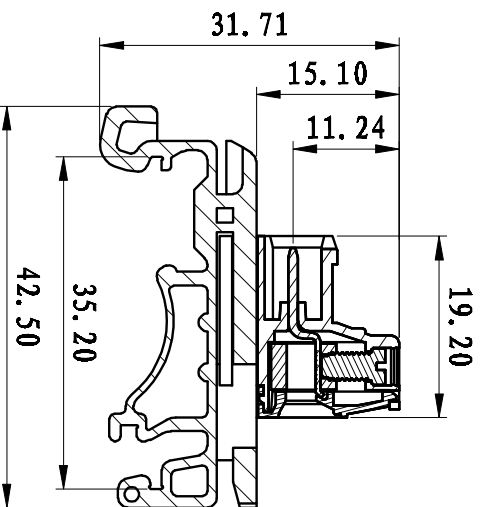
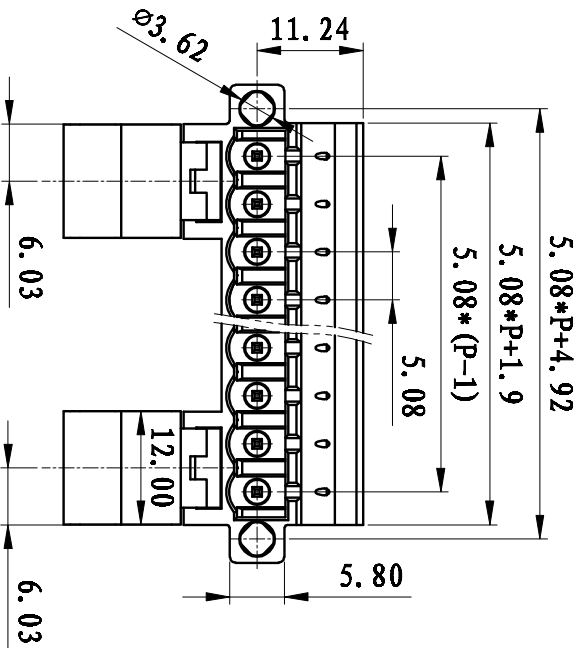
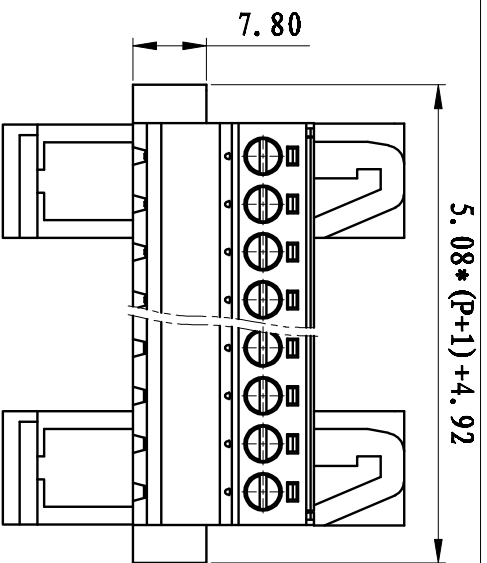


REVISION RECORD			
REV.	CONTENT	MOD.	DATE
△	初版发行	ARKINE	160520



NOTES:

Pitch : 5.08mm
 Rated Voltage : 300V
 Rated Current : 20A
 Withstand Voltage :
 AC2500V for 1 minute
 Insulation Resistance :
 500MΩ / DC500V
 Using Temperature Range :
 -40℃ ~ +105℃
 Wire range : 24~12 AWG
 Screw Torque Value : 0.8Nm
 Pice:2-24

技术要求:

间距: 5.08mm
 额定电压: 300V
 额定电流: 20A
 耐电压值: AC2500V/min
 绝缘阻抗: 500MΩ/DC500V
 使用条件: -40℃~+105℃
 适用线规: 24~12 AWG
 螺丝扭矩: 0.8 Nm
 板数: 2-24P

pitch dimension	Nominal dimension									
	over	over	over	over	over	over	over	over	over	over
variable range	0 to 6	6 to 10	10 to 24	0 to 30	30 to 60	60 to 100	100 to 150			
Tolerance	±0.1	±0.15	±0.25	±0.2	±0.3	±0.5	±0.7	±1.0	0.05/10	

6	LC10-5.08-异形	1011B0001AV	P	紫铜	镀镍锡
5	LC1-5.08-端子	SP07A305301V	P	紫铜	三价铬钝化彩锌
4	LC1-5.08-插方块	P1A0BLCS083V	P	黄铜	镀镍
3	LC1-5.08-盖板	1001C07XXAV	1	PA6-10	
2	LC16-5.08脚	1045T0701AV	1和2	PA6-10	
1	LC16M6-5.08本体	1045M07XXAV	1	PA6-10	
NO.	NAME OF PART	NO. OF PART	QTY	MATERIAL	
DES.	AKTIB	DATE	2013/01/30	THIRD ANGLE PROJECTION	SHEET
CHK.	DATE	SCALE	A4		1 of 1
APP.	DATE	SCALE	1:1	DWG NO.	1011B0001AV
上海有乐电气有限公司					TITLE
Shanghai Yoile Electric CO.,LTD					LC16M6-5.08-盖板