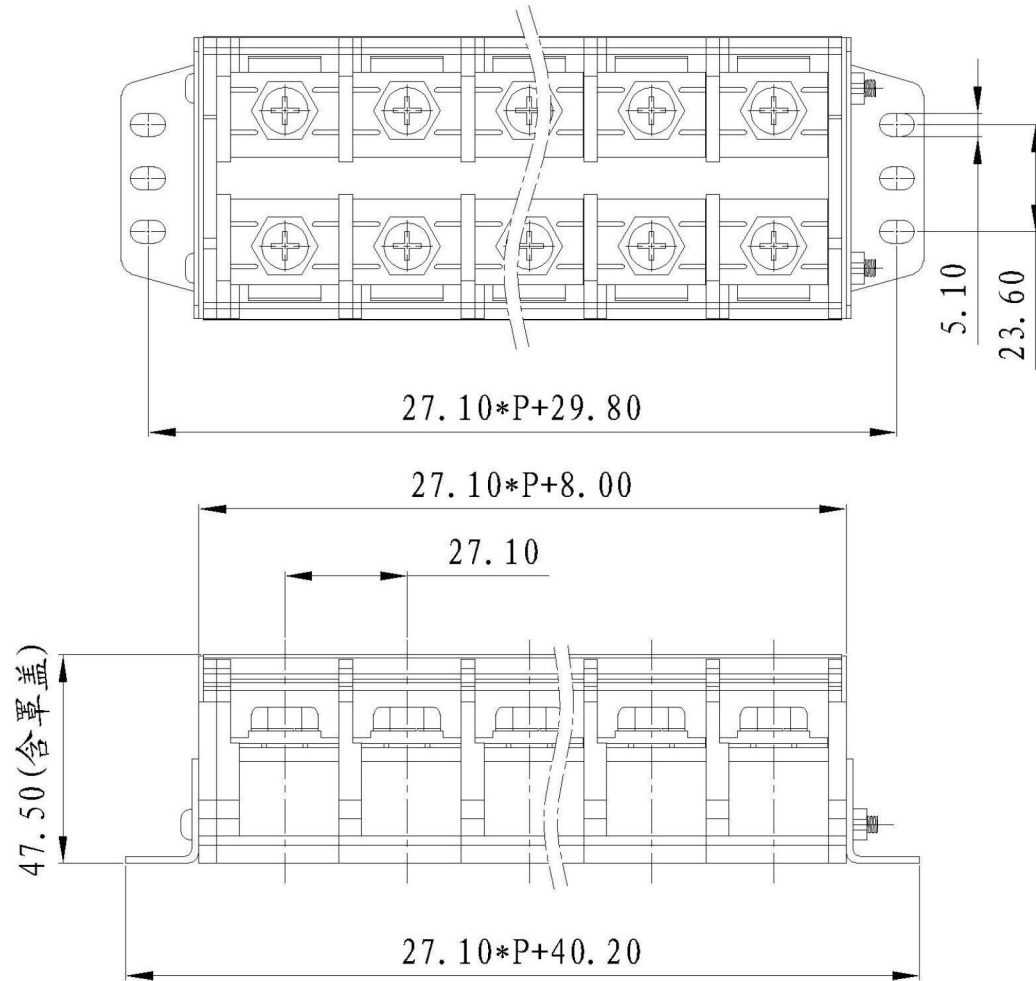


REVISION RECORD			
REV.	CONTENT	MOD.	DATE
△	初版发行		



技术要求:

额定电压: 1000V

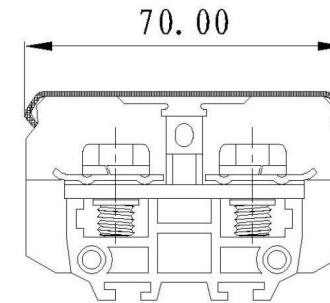
额定电流: 150A

螺钉类型/扭力: M8/6.0-10.0 N.m

绝缘材料类型: PC


阻燃等级: V1

刚性导线: 35mm<sup>2</sup>



8	TR-150罩盖	60TRC701500V	1	PC	镀锌	
7	TR-80螺母	SMN0B000001V	2	黄铜	镀锌	两者起固定 联接作用
6	TR-150螺杆	SG00A000001V	2	铁	镀锌	
5	TR-固定件	60TRKDD150AV	2	铁		镀锌
4	TR-150螺丝	SWOSA801601V	2P	碳钢		镀镍
3	TR-150导电件	60TRBDD150AV	P	H62		镀镍
2	TR-150端板	60TRC301500V	2	PC		黑色
1	TR-150本体	60TRA301500V	P	PC		黑色

NO.	NAME OF PART	NO. OF PART	Q' TY	MATERIAL	NOTES
DES.	ARKINE	DATE	2012/6/13	UNITS	MM
CHK.		DATE		SIZE	A4
APP.		DATE		SCALE	1:1

 上海有乐电气有限公司  
Shanghai Youle Electric Co., Ltd

TITLE

TR-150A-XXP-130-00A

TR-15005组装图

	Pitch dimension			Nominal dimension					— /
	over	over	over	over	over	over	over	over	
variable	0	6	10	0	30	60	100	150	□
range	to	to	to	to	to	to	to	to	○
Tolerance	±0.1	±0.15	±0.25	±0.2	±0.3	±0.5	±0.7	±1.0	0.05/10