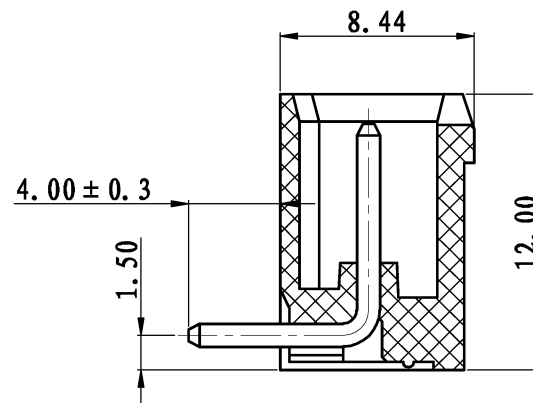
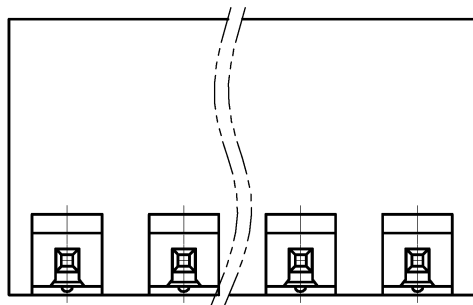
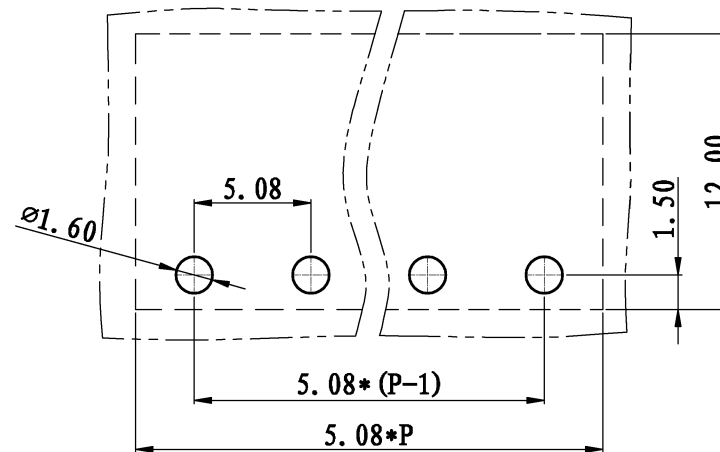
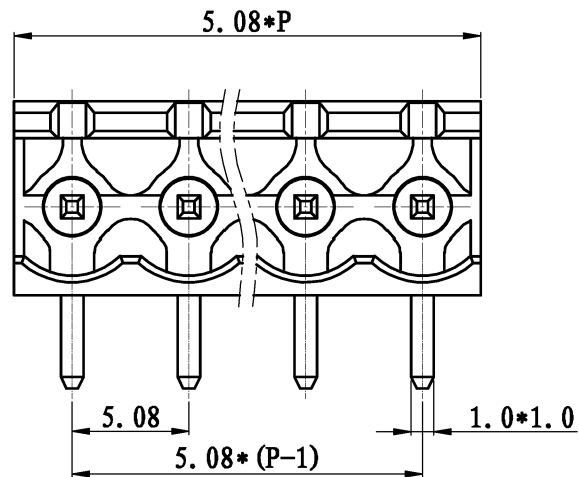


REVISION RECORD			
REV.	CONTENT	MOD.	DATE
△	初版发行		



NOTES:
 Pitch : 5.08mm
 Rated Voltage : 300V
 Rated Current : 15A
 Withstand Voltage :
 AC2500V for 1 minute
 Insulation Resistance :
 500M Ω / DC500V
 Using Temperature Range :
 -40 $^{\circ}$ C ~ +105 $^{\circ}$ C

技术要求:
 间距: 5.08mm
 额定电压: 300V
 额定电流: 15A
 耐电压值: AC2500V/min
 绝缘阻抗: 500M Ω /DC500V
 使用条件: -40 $^{\circ}$ C ~ +105 $^{\circ}$ C

	pitch dimension			Nominal dimension					—
	over 0	over 6	over 10	over 0	over 30	over 60	over 100	over 150	
variable range	to 6	to 10	to 24	to 30	to 60	to 100	to 150		
Tolerance	±0.1	±0.15	±0.25	±0.2	±0.3	±0.5	±0.7	±1.0	

2	LZ1-5.08-弯针(1.2)	1015B0001AV	P	黄铜	镀雾锡
1	LZ1K-5.08-本体	1015K0YXXAV	1	PA66	
NO.	NAME OF PART	NO. OF PART	Q'TY	MATERIAL	NOTES
DES.	ARKINE	DATE	2010/5/20	UNITS	MM
CHK.		DATE		SIZE	A4
APP.		DATE		SCALE	1:1
				DWG NO.	SP-1-1015006
				REV:	T0
上海有乐电气有限公司 Shanghai YouLe Electric Co., LTD				TITLE	LZ1RK-5.08-XP-1Y-00A
					LZ1RK-5.08-成品