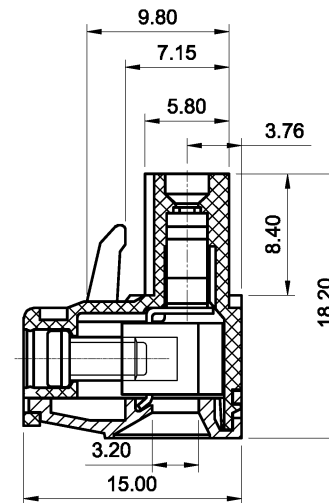
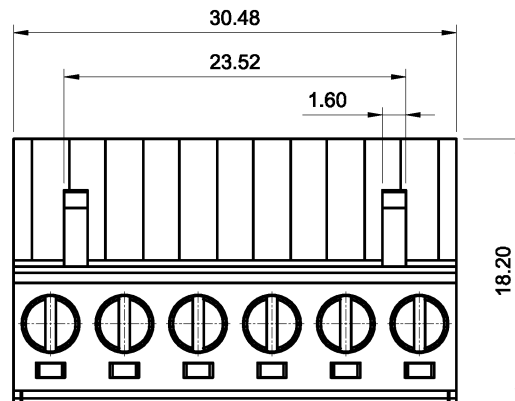
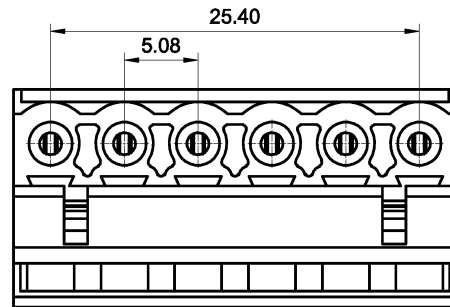


REVISION		RECORD	
REV.	CONTENT	MOD.	DATE
①	初版发行		

NOTES:

1. Voltage Rating: 300V, Current Rating: 15A
2. PITCH: 5.08mm
3. Insulation Withstands Voltage: AC2500V/min
4. Insulation Resistance: 500M or more at DC500V
5. Using Temperature Range: -40° C - +105° C
6. Suitable Electric Wire: 28-12AWG
7. Screw Torque Value: 0.5 N.m




技术要求:

1. 额定电压: 300V, 额定电流: 15A
2. 间距: 5.08mm
3. 耐电压值: AC 2500V/min
4. 绝缘阻抗500兆欧
5. 使用条件: -40° - +105°
6. 适用线规: 28-12AWG
7. 螺丝扭力:

	pitch dimension			Nominal dimension					— /
	over 0 to 6	over 6 to 10	over 10 to 24	over 0 to 30	over 30 to 60	over 60 to 100	over 100 to 150	0.05/10	
variable range	0 to 6	6 to 10	10 to 24	0 to 30	30 to 60	60 to 100	100 to 150	0.05/10	
Tolerance	±0.1	±0.15	±0.25	±0.2	±0.3	±0.5	±0.7	±1.0	

5.	LC1-5.08-夹子	1001B0001AV	6	磷青铜	镀镍
4.	LC1-5.08-铜方块	F1A0BLC5083V	6	黄铜	镀镍
3.	LC1-5.08-螺丝	SPOYA305302V	6	碳钢	三价铬钝化彩锌
2.	LC1-5.08-盖子	1001C4006AV	1	PA66-V0	绿色
1.	LC1-5.08-主体	1001A4006AV	1	PA66-V0	绿色
NO.	NAME OF PART	NO. OF PART	Q'TY	MATERIAL	NOTES
DES.	WL	DATE	18-05-08	UNITS	MM
CHK.		DATE		SIZE	A4
APP.		DATE		SCALE	1:1
				DWG NO.	SP-1-10010A01
				TITLE	LC1-5.08-6P-140-00A
					LC1-5.08-成品


上海有乐电气有限公司
 Shanghai YouLe Electric Co., LTD