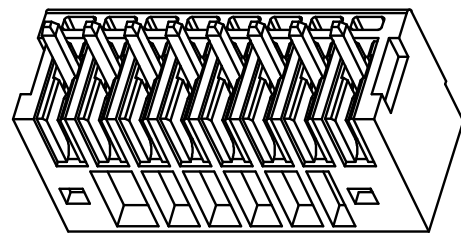
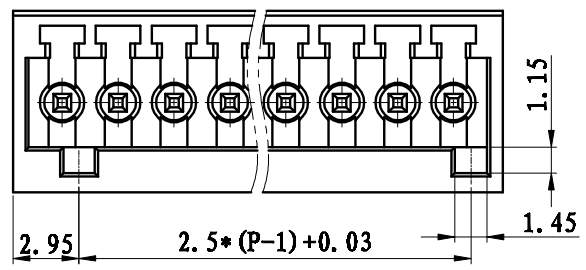
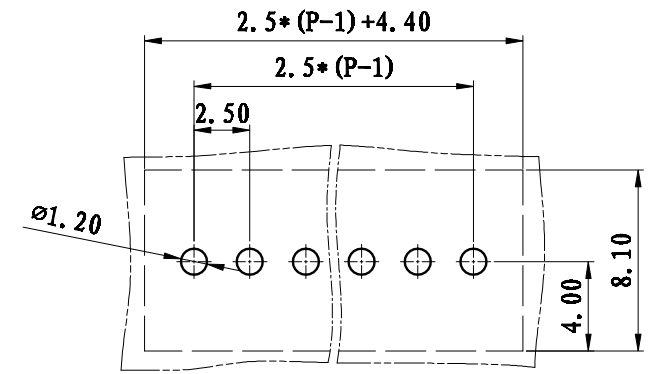
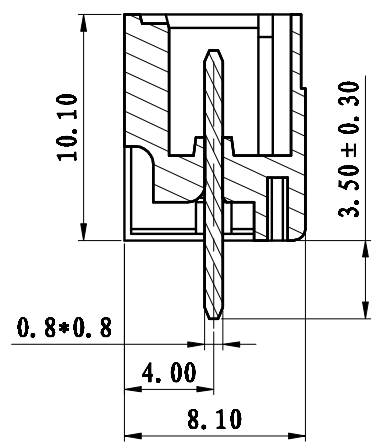
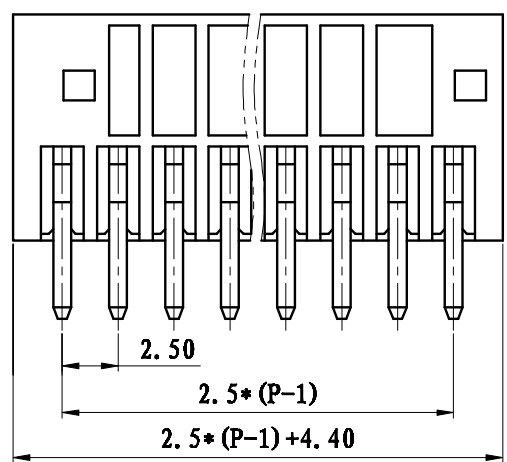


REVISION RECORD			
REV.	CONTENT	MOD.	DATE
①	初版发行		



NOTES:
 Pitch: 2.5mm
 Rated Voltage: 150V
 Rated Current: 4A
 Withstand Voltage:
 AC2000V for 1 minute
 Insulation Resistance:
 500MΩ / DC500V
 Using Temperature Range:
 -40°C ~ +105°C

技术要求:
 间距: 2.5mm
 额定电压: 150V
 额定电流: 4A
 耐电压值: AC2000V/min
 绝缘阻抗: 500MΩ/DC500V
 使用条件: -40°C~+105°C



	pitch dimension			Nominal dimension					— ▱ ⌒
	over 0	over 6	over 10	over 0	over 30	over 60	over 100	over 150	
variable range	to 6	to 10	to 24	to 30	to 60	to 100	to 150		
Tolerance	±0.1	±0.15	±0.25	±0.2	±0.3	±0.5	±0.7	±1.0	0.05/10

2	LZ1-3.81-直针四周带齿	1003B0005AV	P	黄铜	镀锡
1	LZ1-2.5-主体	1037A0YXXAV	1	PA66	
NO.	NAME OF PART	NO. OF PART	QTY	MATERIAL	NOTES
DES.	ARKINB	DATE	2012/4/21	UNITS	mm
CHK.		DATE		SIZE	A4
APP.		DATE		SCALE	
				DWG NO.	SP-2-1037002
				REV:	V0
上海有乐电气有限公司 Shanghai YouLe Electric CO.,LTD				TITLE	LZ1V-2.5-成品